

ITEM NO.	PART NUMBER	PART DESCRIPTION	U/M	QTY.
1)		<b>COVERINGS</b> .....		2
		Gelcoat, patch paste, vinyls, fabrics, woodshop materials, carpet		
2)		<b>HULL HARDWARE</b> .....		3
		Hull carpet, ext. hardware, swim step/platform, braces & ladder assy		
3)		<b>DECK HARDWARE</b> .....		4
		Gunnel, bow/taff/stern/grab/hand/console rails, radar wing, bow platform, deck hatches & trim, deck carpet		
6)		<b>INTERIOR HARDWARE</b> .....		10
		Table assy, propane system, port dash and helm console		
7)		<b>UPHOLSTERY</b> .....		12
		All uph, materials, foam, uph rails and hardware, carpet runners		
8)		<b>TAPES AND LABELS</b> .....		15
		Hull, interior, exterior, deck, C/B & H/T tapes and labels		
9)		<b>WINDSHIELD</b> .....		17
		Windshield system, windscreen, fasteners and related hardware		
10)		<b>ELECTRICAL</b> .....		18
		Wiring harness, gen. sys, air cond., int/ext lights, gauges, switches, panels console & instruments, audio-visual, communication, radar/autopilot		
11)		<b>CANVAS</b> .....		22
		Raw material, assemblies, bows, camper back bows, related hardware		
12)		<b>ENGINE AND CONTROL SYSTEMS</b> .....		24
		Engine systems, shifter & control cables, steering sys, fuel sys, vent sys		
13)		<b>MODULES</b> .....		25
		Entertainment center assy, entry door & trim, drip rails, hanging locker, head, galley, exterior bulkhead, vanity assy, plex doors, wood assemblies		
14)		<b>PLUMBING AND FIXTURES</b> .....		28
		Bilge pump, baitwell, shower, marine head, fresh water, sink/deck/c/b drain systems		
15)		<b>MANUFACTURING SUPPLIES</b> .....		31
		Manuals, shipping materials, basic manufacturing supplies		
16)		<b>FACTORY INSTALLED OPTIONS</b> .....		32
17)		<b>DEALER INSTALLED OPTIONS</b> .....		35
		US Marine Parts options only		
18)		<b>ENGINE OPTIONS</b> .....		37
		Engine systems & related hardware		

ITEM NO.	PART NUMBER	PART DESCRIPTION	U/M	QTY.
		<b>HULL CARPET</b>		
*	56588	CARPET-CAMBRIA 94	LY	
		<b>DECK CARPET</b>		
*	52594	HEADLINER-WHITE OPAL	LY	
		<b>VINYL/FABRIC</b>		
*	50415	HIDEM WELT - DREAM WHITE	LY	
*	55789	FABRIC,BAY SHORE COLOR	LY	
*	55151	LIMINTED GRAY	LY	
*	52149	OLYMPIC WHITE	LY	
*	33897	JET BLACK	LY	
*	55774	FABRIC, ROCKETEER	LY	
*	55789	FABRIC,BAYSHORE PEACH	LY	
		<b>BOAT INT. CURTAINPILLOW ASSY'S</b>		
*	55881	CURTAIN,STRAUSS COCOA	LY	
*	55774	FABRIC,ROCKETEER	LY	
		<b>LAM HULL/DECK</b>		
*	F50-39853	GELCOAT-DREAM WHITE	QT	
*	F55-39853	PATCH PASTE, DREAM WHITE	EA	
*	F50-55675	GELCOAT TITANIUM	QT	
*	F55-55675	PATCH PASTE, TITANIUM	EA	
*	7220	BASECOAT WHITE	QT	
		<b>MISC WOOD</b>		
*	50185	1/2" LAM PLY-BLACK	SF	
*	55293	5/8" LAM PLY-NEUTRAL WHITE	SF	
*	55293-V	LAMINATE - NEUTRAL WHITE	SF	
*	55778	5/8" LAM PLY-SAGE PATINA	SF	
*	55185	WALL COVERING-IVORY PATINA	LY	
*	4058	1/8" BRONZE MIRROR PLEX	SF	
*	7376	3/16" BRONZE PLEX	SF	
*	NOT SHOWN			

FOR VERIFICATION OF COLOR, REFER TO 1994 COLOR CHART

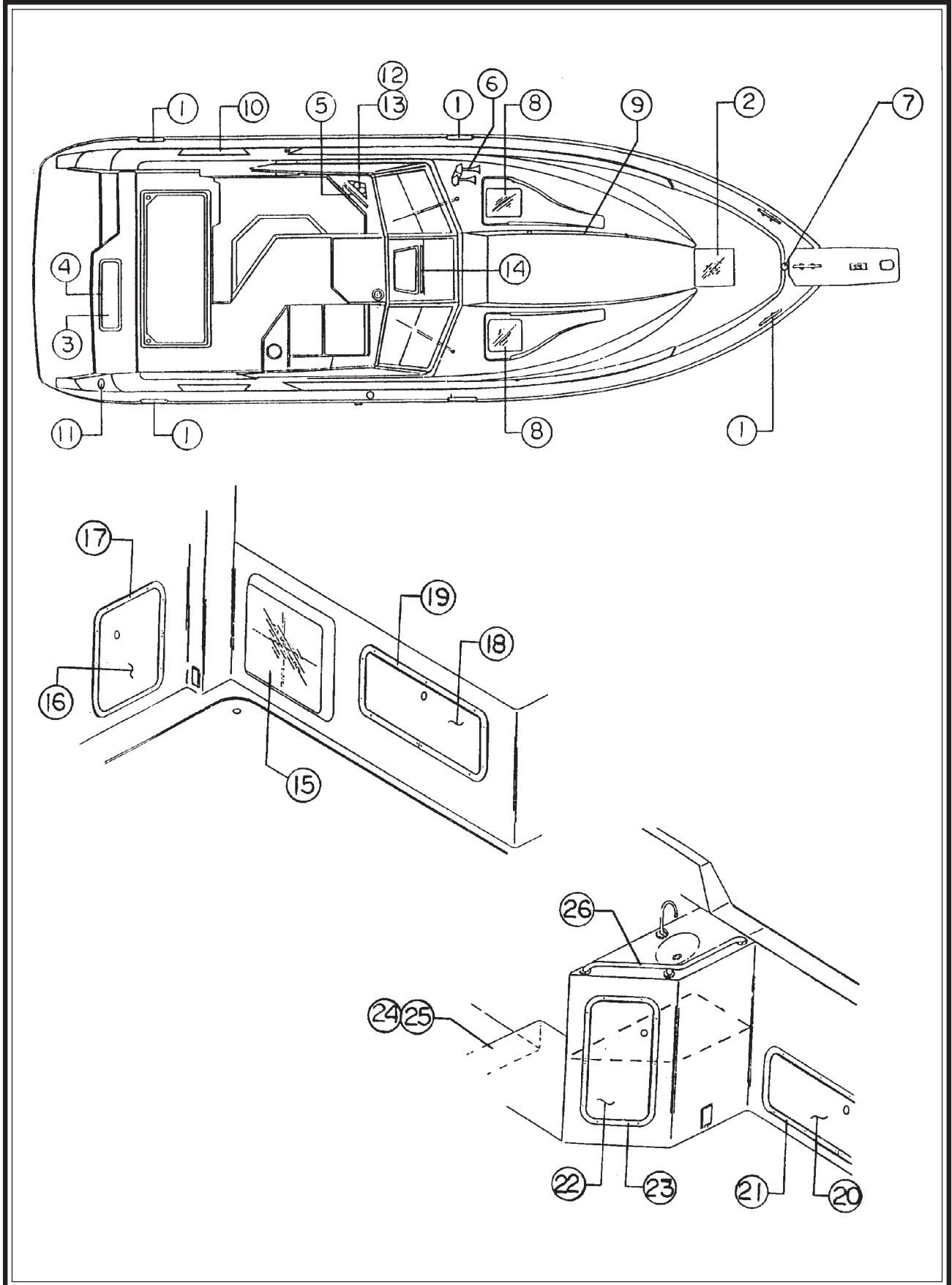
ITEM NO.	PART NUMBER	PART DESCRIPTION	U/M	QTY.
<b>HULL BASIC HARDWARE</b>				
*	4082	1" ACOUSTICAL FOAM	LF	4
*	4354	2" WIDE ALUM TAPE	RL	1
<b>HULL BASIC HARDWARE (T-D3.0L BRAVO II)</b>				
*	12776	1" SOUND BOARD W/VINYL BACK	SF	18
*	12777	TAPE FOR SOUND BOARD-VRF-3"X150'	RL	1
*	13469	WIND-LOCK PLATE	EA	10
<b>HULL EXT HARDWARE</b>				
*	32290	CONT OPENING PRTLT 1.5"FLANGE	EA	5
1	39467	12X18 TRIM TAB W/RESTRICT FLO PUMP	ST	1
2	4456	1/2" X 3 7/16" BOW EYE (RLED)	EA	3
3	50993	GARBOARD DRAIN FLANGE	EA	1
4	50994	GARBOARD DRAIN PLUG	EA	1
*	2402	8 X 1 PFH SILICON BRONZE	EA	2
*	315-1	CLAM SHELLS MIDGET	EA	1
<b>LADDER ASSEMBLY</b>				
*	56181	STEP,TRANSOM PLATFORM	EA	1
*	2353	PIVOT BRACKET	EA	2
*	T277	4 X 18 X 1 1/2 TEAK SWIM LADDER STP	EA	2
*	K-5168	BUMPER	EA	4
*	32244	1" BLACK NYLON WEBBING	YD	1
*	90	XB-78322 COM SEN 2 HL STD (TURNBUCKLE)	EA	1
*	88	BS-78403 COM SEN EYE	C	1
*	89	BS-78505 COM SEN WASH	C	1
*	53827	SWIM STEP WARNING LABEL	EA	1
* NOT SHOWN				

**DECK HARDWARE  
SECTION 3**

3055 EP 1994

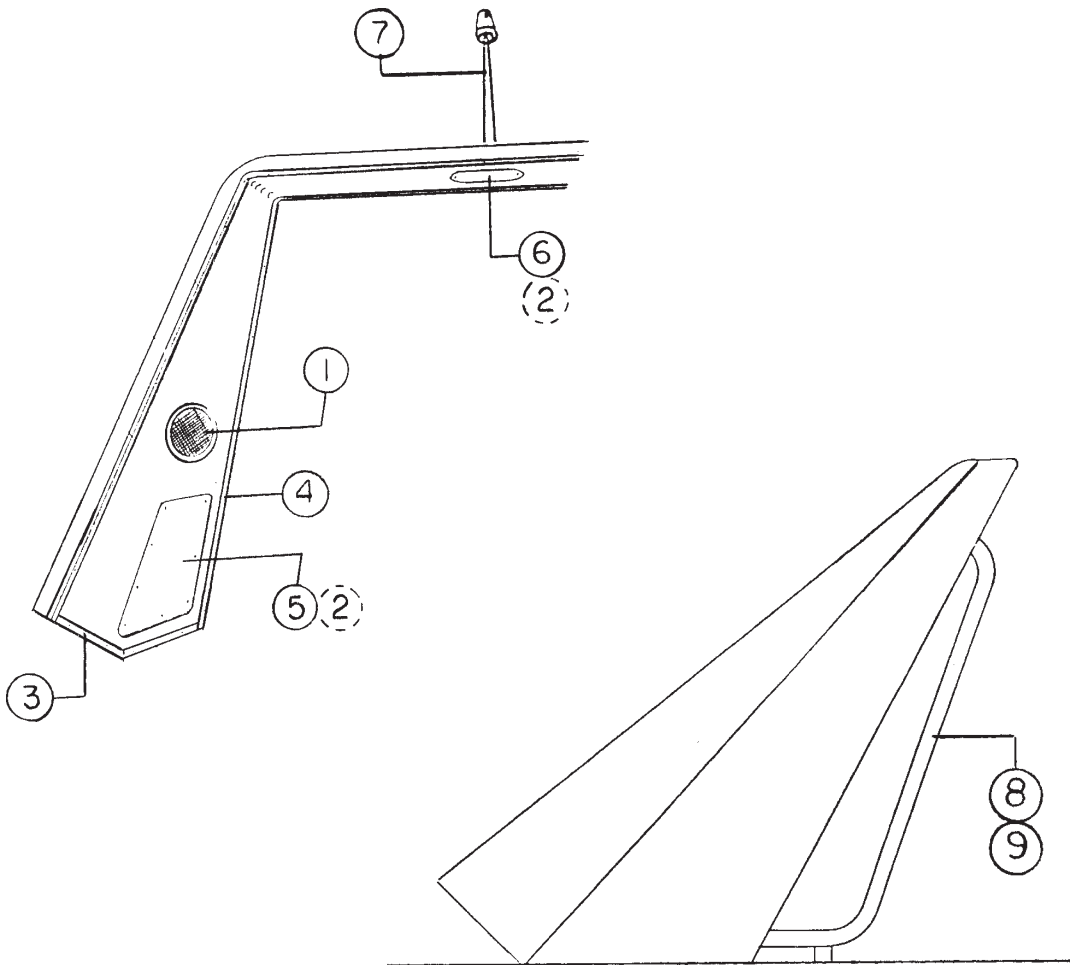


ITEM NO.	PART NUMBER	PART DESCRIPTION	U/M	QTY.
<b>DECK HARDWARE</b>				
*	34961	FOLDING CUPHOLDER-BLACK	EA	1
1	7769	CLEAT 10" 4-HOLE YACHT	EA	6
2	13914	20.25X20.25 NIBO LO-PROFILE HATCH	EA	1
*	52859	HATCH BLINDS 21X21 OFF WHITE	EA	1
*	52888	LARGE TRIM RING-1" FLANGE, OFF WHITE	EA	1
*	13914-C	LARGE HATCH SCREEN	EA	1
3	36198	BUMPER STORAGE BOX	EA	1
4	33855	TRIM RING 9 X 36 (BUMPER STORAGE)	EA	1
5	38193	GRAB RAIL PORT BAR 26"	EA	1
*	33852	TRANSOM GRAB RAIL	EA	1
*	11503	WIRE COVER-BLACK	EA	1
6	12461-A	TWIN TRUMPET HORNS ELEC SS	EA	1
7	35806	BLACK ROPE DECK PIPE	EA	1
*	35343-B	ANCHOR DEADEND	EA	1
8	56485	BLACK MINI HATCH W/WHITE RING	EA	2
*	38379	BLACK FOAM SEAL (BULB LOC - AB)	FT	5
9	38717	SUNPAD GRAB RAIL	EA	2
*	39422	DECK SKYLIGHT, 11 X 28-3/4"	EA	1
*	56603	SKYLIGHT TRIM RING DREAM WHITE	EA	1
*	7561	1/16X3/4 2 SIDE TAPE	RL	1
*	12635	TITE R BOND UN4	PT	1
*	33890	GRAY CANVAS WATER SEAL	FT	3
*	53663	DECK PLATE 4" DREAM WHITE (R/W BOLT ACCESS)	EA	1
10	56380	VENT LOUVER, PORT	EA	1
*	56384	VENT LOUVER, STBD	EA	1
11	11992	FUEL FILL	EA	1
12	81403	PLEX CUPHOLDER	EA	1
13	14893	CUPHOLDER STANDOFF	EA	3
14	35953	ENTRY GUTTER	EA	1
15	53665	DECK HATCH (A/B)	EA	1
16	83544	BATTERY SWITCH DOOR	EA	1
*	38379	BLACK FOAM SEAL	FT	6
17	37812	11 X 15 HATCH RING ASSY (BATT SWITCH)	EA	1
18	83545	PORT COCKPIT STORAGE DOOR	EA	1
19	37813	10-1/2 X 23-1/2 HATCH RING ASSY	EA	1
20	83546	STBD COCKPIT STORAGE DOOR	EA	1
21	37814	12 X 43 HATCH RING	EA	1
22	83547	WET BAR STORAGE DOOR	EA	1
23	37815	16 X 26 HATCH RING ASSY	EA	1
*	38379	BLACK FOAM SEAL (BULB LOC - AB)	FT	5
24	83548	HELM SEAT BASE STORAGE DOOR	EA	1
25	36728	HATCH RING ASSY 13 1/2 X 15 1/2	EA	1
*	34579	DOOR LATCH/STRIKER	EA	5
26	37197	BAR SINK RAIL	EA	1
<b>GUNNEL</b>				
*	50598	ETCH GUNWALE 12' WIDE	EA	3
*	50597	ETCH GUNWALE 10' WIDE	EA	4
*	54952	3/4" GUNNEL RUBBER BLUE	FT	83
* NOT SHOWN		<b>DRAWING ON FOLLOWING PAGE</b>		



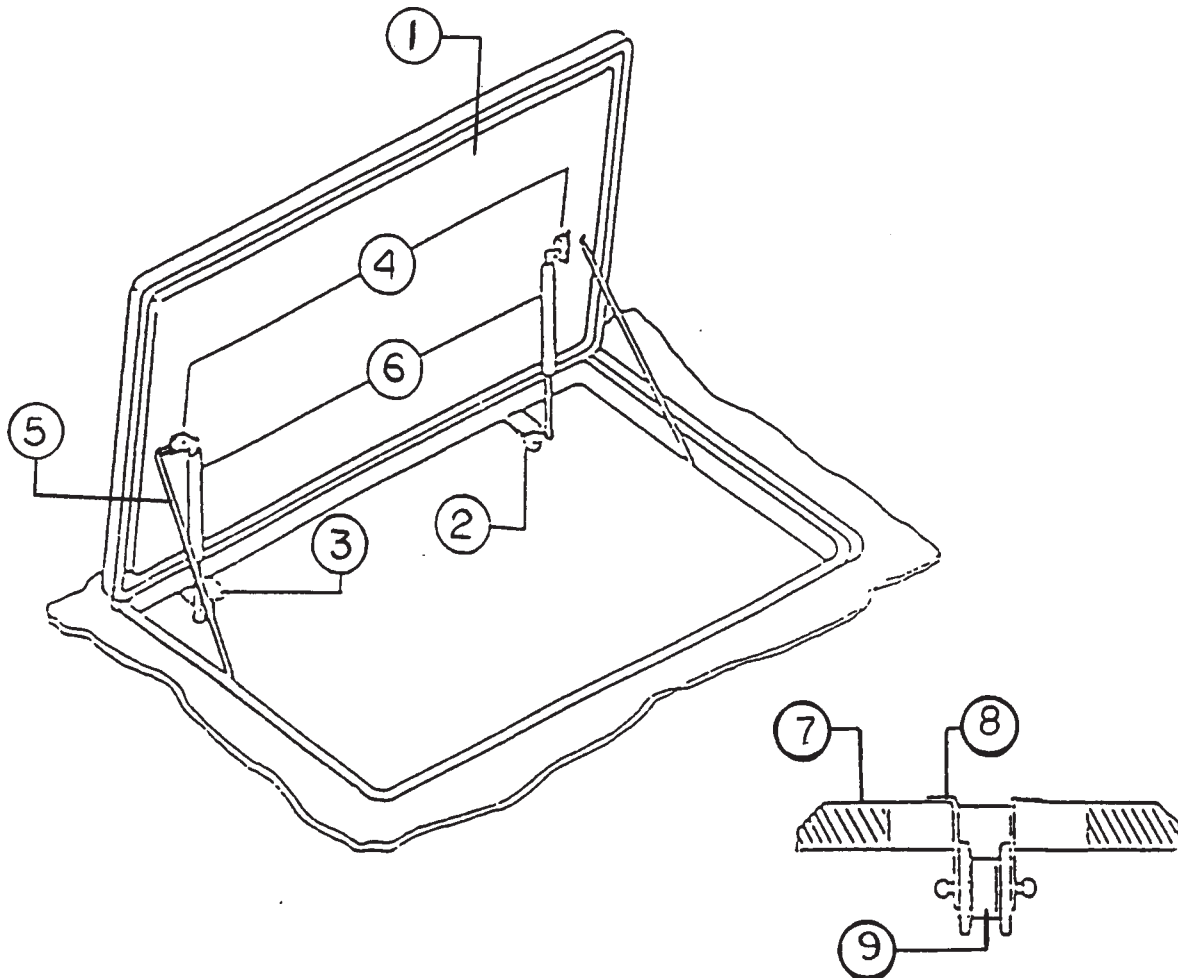
ITEM NO.	PART NUMBER	PART DESCRIPTION	U/M	QTY.
<b>RADAR WING</b>				
1	33065	SPEAKERS-WEATHER PROOF-IMPROVED	PR	1
2	39291	4-1/2" LIGHT ASSY	EA	3
3	38342	1/16 X 3/4 ALUM (BOTTOM TRIM)	FT	6
4	38364	RADAR WING TRIM, 10'	EA	2
*	38365	RADAR WING TRIM, 8'	EA	2
5	80080	SIDE PLEX COVER	EA	2
6	80081	TOP PLEX COVER	EA	1
7	13984	ANCHOR LIGHT, 22"	EA	1
8	53198	RADAR WING SUPPORT-STBD	EA	1
9	53197	RADAR WING SUPPORT-PORT	EA	1
<b>FASTENER KIT</b>				
*	10739	3/8-16 X 4 1/2 HH SS	EA	8
*	1623	3/8" FLAT WASHER SS	EA	16
*	1628	3/8-16 NYLOCK NUT	EA	8

\* NOT SHOWN



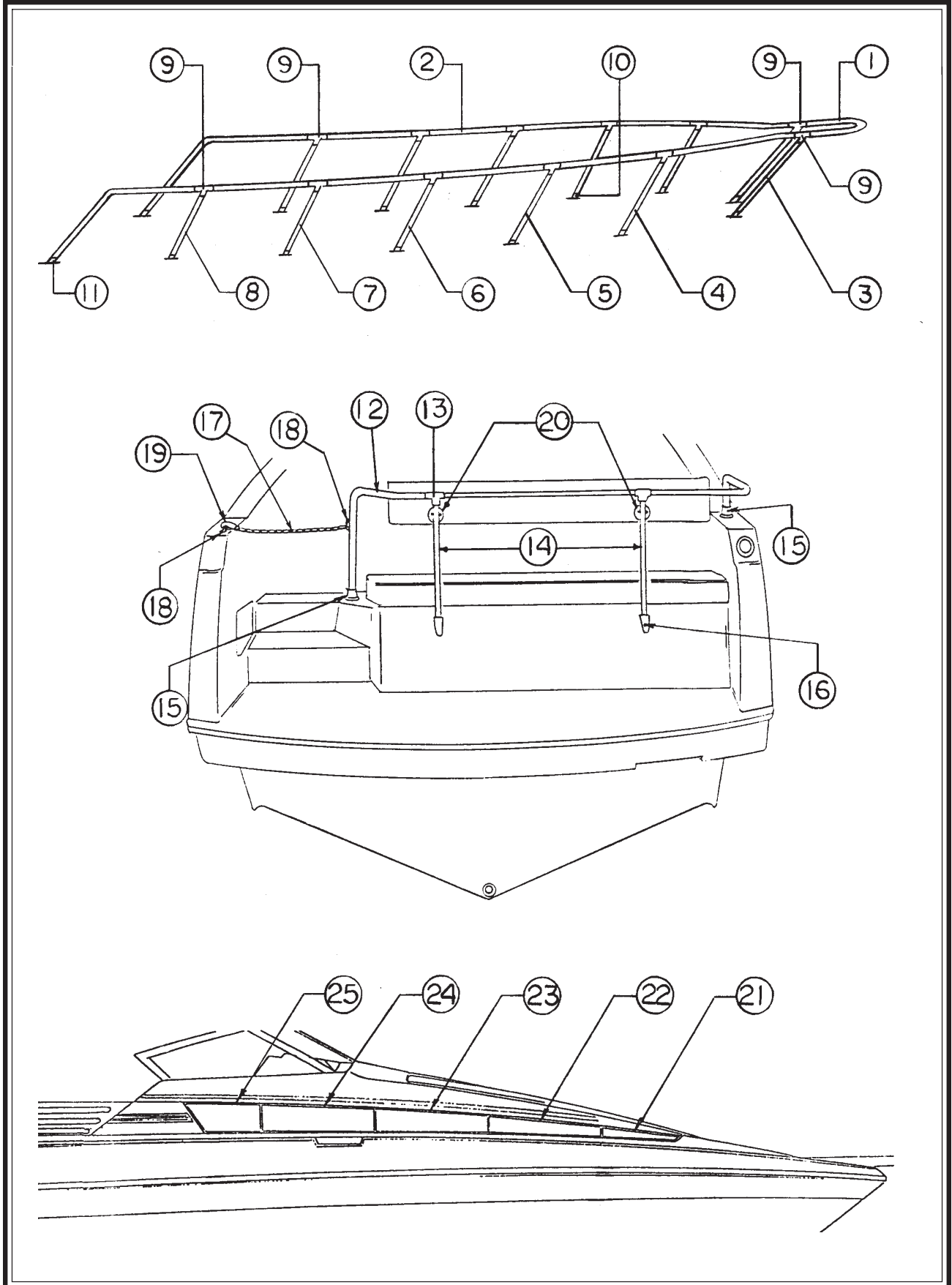
ITEM NO.	PART NUMBER	PART DESCRIPTION	U/M	QTY.
<b>HATCH ASSIST ASSY</b>				
1	83498	ENGINE HATCH	EA	1
*	1477	HINGE	EA	3
*	3031	ENG HATCH CVR LIFT HANDLE	EA	2
2	11887	PORT HATCH ASSIST BRACKET	EA	1
3	11888	STBD HATCH ASSIST BRACKET	EA	1
4	11889	HATCH ASSIST BASE STUD MT	EA	2
5	12293	1" GRAY NYLON WEBBING	YD	4
6	11726	GAS SPRING F/HATCH ASSIST (55#)	EA	2
<b>BOW PLATFORM</b>				
7	53199	<b>BOW PLATFORM</b>	EA	1
<b>BOW PLATFORM</b>				
8	7815	S.S. ROLLER SUPPORT MNT	EA	2
*	1602	1/4-20 X 2 1/2 PRH SS	EA	6
9	54546	NYLON ROLL W/PIN F/YACHTS	EA	1
*	54378	GUARD, BOW PLAT	FT	3
*	7769	CLEAT 10" 4-HOLE YACHT	EA	1

\* NOT SHOWN

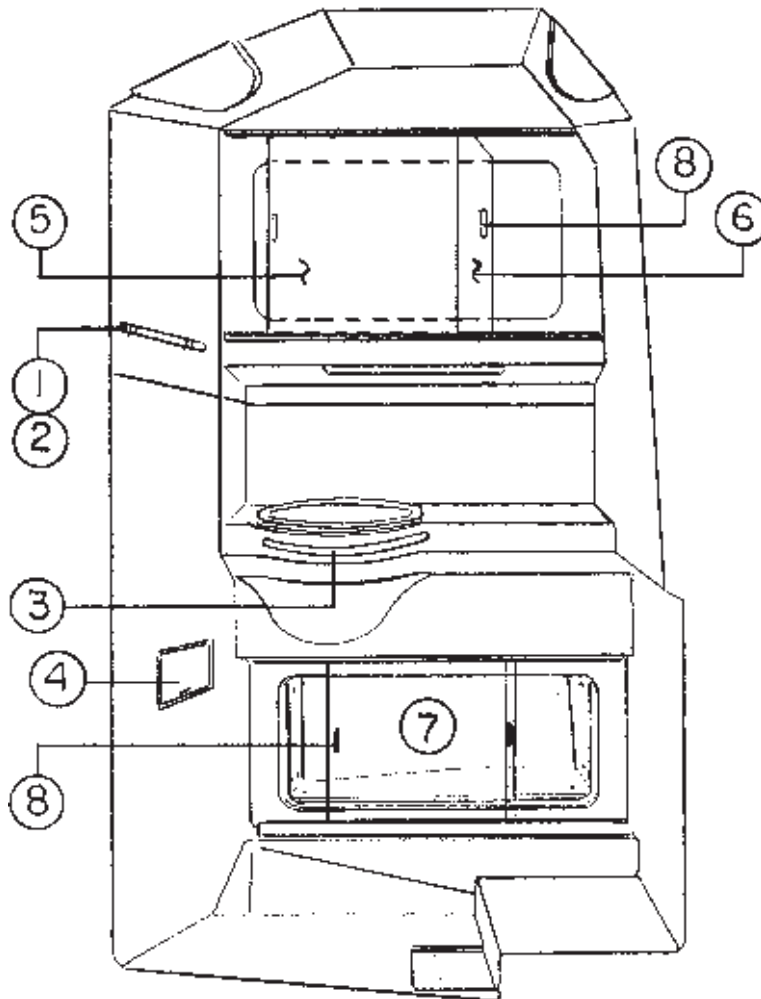


ITEM NO.	PART NUMBER	PART DESCRIPTION	U/M	QTY.
*	39019	<b>EP BOW RAIL ASSY</b>	ST	1
1	36324	DOLPHIN NOSE-EP/ER	EA	1
2	36715	BOW RAIL HEEL	PR	1
	38874	<b>EP STANCHION KIT</b>	ST	1
3	38874-A	#1 STANCHION, 27-1/2"	EA	2
4	38874-B	#2 STANCHION, 28"	EA	2
5	38874-C	#3 STANCHION, 25-1/4"	EA	2
6	38874-D	#4 STANCHION, 23-1/4"	EA	2
7	38874-E	#5 STANCHIONM 20-1/2"	EA	2
8	38874-F	#6 STANCHION, 19-1/2"	EA	2
9	50108	60 DEG RAIL TEE R & L NH UN48	EA	12
10	50106	60 DEG ROUND BASE NH UN48	EA	6
*	2703	60 DEGREE ROUND BASE	EA	6
11	8494	RECT BASE-30 DEG UN48	EA	2
12	36468	<b>TRANSOM RAIL ASSY EP</b>	EA	1
13	50109	90 DEG RAIL TEE NH	EA	2
14	81354	RAIL STANCHION, 17-1/2"	EA	2
15	50101	90 DEG REC BASE NH	EA	2
16	50104	5 DEG BASE NH	EA	2
17	2357	#8 JACK CHAIN	FT	3
18	2816-1	CHROME EYE STRAP	EA	2
19	7830	CHAIN GATE SNAP	EA	1
20	39654	BACKREST PLATE	EA	2
		<b>SIDE WINDOW ASSY</b>		
21	80075	FWD SIDE WINDOW	EA	2
22	80076	FWD CENTER SIDE WINDOW	EA	2
23	80077	CENTER SIDE WINDOW	EA	2
24	80078	AFT CENTER SIDE WINDOW	EA	2
25	80079	AFT SIDE WINDOW	EA	2
*	38769	WINDOW TRIM, PORT UPPER	EA	2
*	38770	WINDOW TRIM, PORT LOWER	EA	2
*	38771	WINDOW TRIM, STBD UPPER	EA	2
*	38772	WINDOW TRIM, STBD LOWER	EA	2
*	7561	2-SIDED TAPE	RL	1
* NOT SHOWN				
<b>DRAWING ON FOLLOWING PAGE</b>				

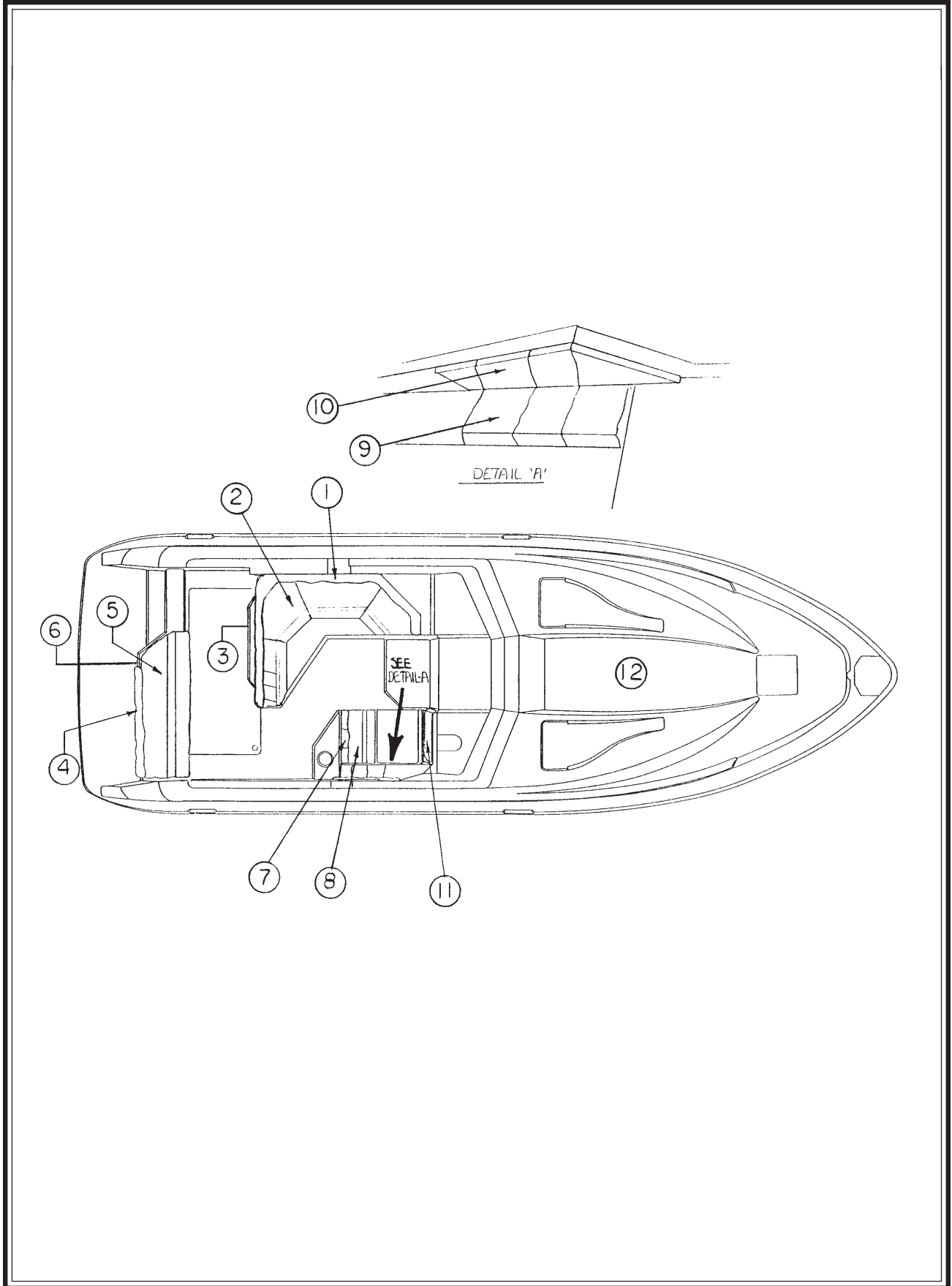




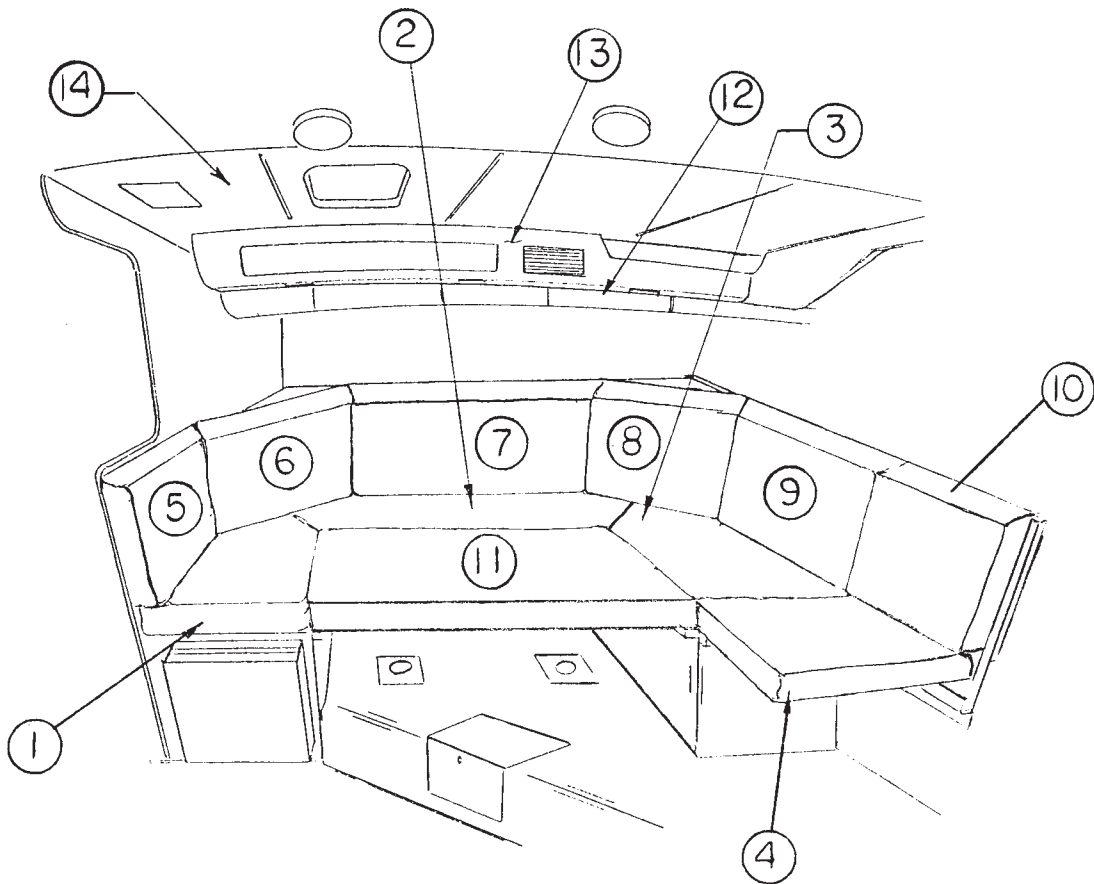
ITEM NO.	PART NUMBER	PART DESCRIPTION	U/M	QTY.
*	9412	FOAM TAPE	RL	1
		<b>HULL INT ASSY HARDWARE</b>		
*	1787	REFRIGERATOR	EA	1
*	36000	STRESS RELIEF FITTING	EA	1
*	36192	LOCK NUT F/36000	EA	1
*	6199	NYLATCH ROLL CATCH W/STKR	EA	1
*	9980	REFER VENT LARGE	EA	1
*	332	HINGE 1/2 BUTTFLY (ENTRY STEP)	EA	1
*	333	HINGE BUTTERFLY (DINETTE STEP LOCKER)	EA	1
*	10846	ALCOHOL ELECTRIC STOVE GLASS TOP	EA	1
		<b>HEAD INT ASSY</b>		
1	31841	TOWEL ROD KIT - BEIGE	EA	1
2	31575	TOWEL ROD 12"BRUSHED ALMN	EA	1
3	37823	VANITY RAIL HEAD EP	EA	1
4	35842	RECESSED TOILET PAPER HOLDER	EA	1
5	80066	UPPER VANITY PLEX SLIDER, FWD	EA	1
6	80067	UPPER VANITY PLEX SLIDER, AFT	EA	1
7	80068	LOWER VANITY PLEX SLIDER	EA	2
8	6982	BLACK PLASTIC FINGER PULL	EA	4
*	12318	SLIDER TRACK, LOWER	FT	6
*	12317	SLIDER TRACK, UPPER	FT	6
*	84837	HEAD DOOR W/O HARDWARE	EA	1
*	36013	11X60"DOOR MIRROR	EA	1
*	3059	1/8" MIRROR HOLDER	EA	8
*	1199 #1	HOOK DOOR SHORT	EA	3
		<b>TABLE ASSEMBLY (GRAY NUANCE)</b>		
*	84838	<b>SUNBRIDGE TABLE ASSY</b>	EA	1
*	52996	TABLE MOLDING-DREAM WHITE	FT	11
*	52956	TABLE MOLD INSERT-DREAM WHITE	FT	11
*	84839	<b>SALON TABLE ASSY (SAGE PATINA)</b>	EA	1
*	52441	ASH ELLIPTICLE SEA RAIL	LF	10
*	13156	ROUND TABLE SUPPORT	EA	4
*	39730	TABLE BASE W/STUD	EA	4
*	52571	TABLE BASE PLUG	EA	4
*	1199 #1	HOOK DOOR SHORT	EA	2
*	4009	LOOM CLAMP-1/4" PLASTIC	EA	2
*	53333	T-TRIM 11/16" WHITE SAND	FT	35
*	39729	30" TABLE LEG W/THREADS & FLANGE	EA	4
* NOT SHOWN				
<b>DRAWING ON FOLLOWING PAGE</b>				



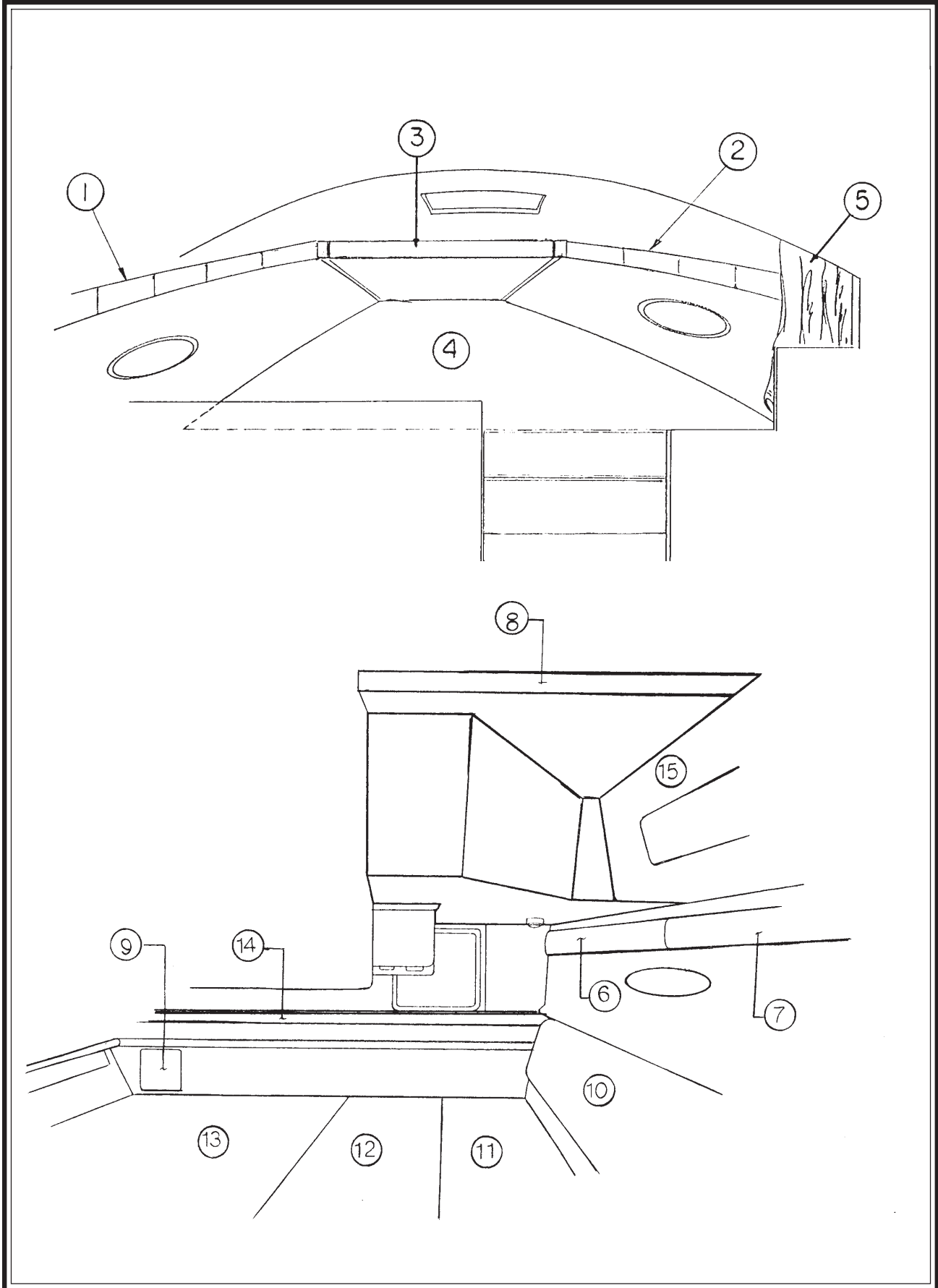
ITEM NO.	PART NUMBER	PART DESCRIPTION	U/M	QTY.
	55951	<b>REMOVEABLE CARPET RUNNER KIT(OLY MIST)</b>	EA	1
*	55951-A	ENGINE HATCH	EA	1
*	55951-B	AFT COCKPIT, PORT	EA	1
*	55951-C	AFT COCKPIT, STBD	EA	1
*	55951-D	FWD COCKPIT	EA	1
*	55951-E	ENTRY STEP	EA	1
*	55951-F	HELM AREA	EA	1
*	11563	SMALL BASE CANVAS SNAP	C	1
		<b>DECK UPHOLSTERY</b>		
		<b>COCKPIT LOUNGE ASSY</b>		
1	84787	COCKPIT LOUNGE BACK ASSY	EA	1
2	84788	COCKPIT LOUNGE CUSHION ASSY	EA	1
*	38875	EP LOUNGE GRAB RAIL ASSY	ST	1
3	37444	LOUNGE SEAT BACK RAIL	EA	1
*	50105	30 DEG BASE NH	EA	2
		<b>TRANSOM SEAT ASSY</b>		
4	84789	TRANSOM SEAT BACK ASSY	EA	1
5	84790	TRANSOM SEAT CUSHION	EA	1
6	36468	TRANSOM RAIL ASSY	EA	1
*	35060	SEAT BRACKET	EA	2
*	39654	BACK REST PLATE 2-1/2"	EA	2
*	56466	BRACE,SEAT BASCK	EA	1
	84791	<b>HELM SEAT ASSY</b>		
7	84792	HELM SEAT BACK ASSY	EA	1
8	84793	HELM SEAT CUSHION	EA	1
9	84794	HELM SEAT ARMREST, LOWER	EA	1
10	84795	HELM SEAT ARMREST, OUTBD	EA	1
11	84796	HELM DASH PAD	EA	1
*	398583	SHIFTER/DASH	EA	1
12	84797	FWD DECK SUNLOUNGE PAD	EA	1
*	35631	AWNING RAIL INSERT-BLACK	FT	3
*	35562	CANVAS SLIDE TRACK-ANOD ALUM.	FT	3
		<b>DINETTE UPHOLSTERY</b>		
1	84798	DINETTE AFT SEAT CUSHION	EA	1
2	84799	DINETTE MID SEAT CUSHION	EA	1
3	84800	DINETTE FWD SEAT CUSHION	EA	1
4	84801	DINETTE FWD FILLER CUSHION	EA	1
5	84802	DINETTE AFT BACK CUSHION	EA	1
6	84803	DINETTE AFT OUTBD BACK CUSHION	EA	1
7	84804	DINETTE MID BACK CUSHION	EA	1
8	84805	DINETTE FWD OUTBD BACK CUSHION	EA	1
9	84806	DINETTE FWD BACK CUSHION	EA	1
10	84807	DINETTE FWD BACK FILLER CUSHION	EA	1
11	84808	DINETTE BUNK FILLER CUSHION	EA	1
12	84809	BOLSTER PAD ASSY	EA	1
13	84810	PORT VALANCE ASSY	EA	1
14	84811	PORT OVERHEAD PANEL	EA	1
*	NOT SHOWN			
<b>DRAWING ON FOLLOWING PAGE</b>				



ITEM NO.	PART NUMBER	PART DESCRIPTION	U/M	QTY.
	56789	<b>BOAT INT. CURTAIN ASSY'S</b>	EA	1
*	56789-A	V-BERTH PRIVACY	EA	1
*	56789-B	A-BERTH PRIVACY	EA	1
*	56789-C	AFT BERTH	EA	2
*	56789-D	STBD SIDE FWD	EA	1
*	56789-E	STBD SIDE AFT	EA	1
*	56789-F	PORT SIDE FWD	EA	2
*	56789-G	PORT SIDE AFT	EA	1
*	56789-H	HEAD	EA	1
*	56789-I	SHOWER CURTAIN	EA	1
*	56789-J	HATCH	EA	1
*	56761	CABIN THROW PILLOW	EA	2
*	11536	I-BEAM CURTN.TRK.-600 MIN SHIP	FT	22
*	11539	CEILING BRACKET-CURTAIN	EA	20
*	11538	END STOP-CURTAIN-PLTD STL	EA	9
*	11537	CURTAIN NYLON WHEEL CARRY	EA	85
		<b>V-BERTH/BOW UPH ASSY</b>		
1	84812	PORT V-BERTH BOLSTER PAD	EA	1
2	84813	STBD V-BERTH BOLSTER PAD	EA	1
3	84814	ROPE LOCKER PAD	EA	1
4	84815	V-BERTH MATTRESS	EA	1
5	54071-A	V-BERTH PRIVACY CURTAIN	EA	1
		<b>AFT BERTH ASSY</b>		
6	84816	AFT BOLSTER PAD	EA	1
7	84817	FWD BOLSTER PAD	EA	1
8	84818	FILLER PAD	EA	1
9	84819	ENGINE HATCH PAD	EA	1
10	84820	HEADBOARD/LOUNGE BACK CUSHION	EA	1
11	84821	SEAT/MATTRESS CUSHION	EA	1
12	84822	FILLER CUSHION	EA	1
13	84823	MATTRESS	EA	1
14	84824	SHELF PAD	EA	1
15	84825	VALANCE ASSY	EA	1
		<b>STBD CABIN</b>		
*	84826	GALLEY BOLSTER	EA	1
*	84827	STBD OVERHEAD PANEL	EA	1
*	84828	VALANCE ASSY	EA	1
		<b>HEAD</b>		
*	84829	HEAD GUNNEL PAD	EA	1
* NOT SHOWN				
<b>DRAWING ON FOLLOWING PAGE</b>				

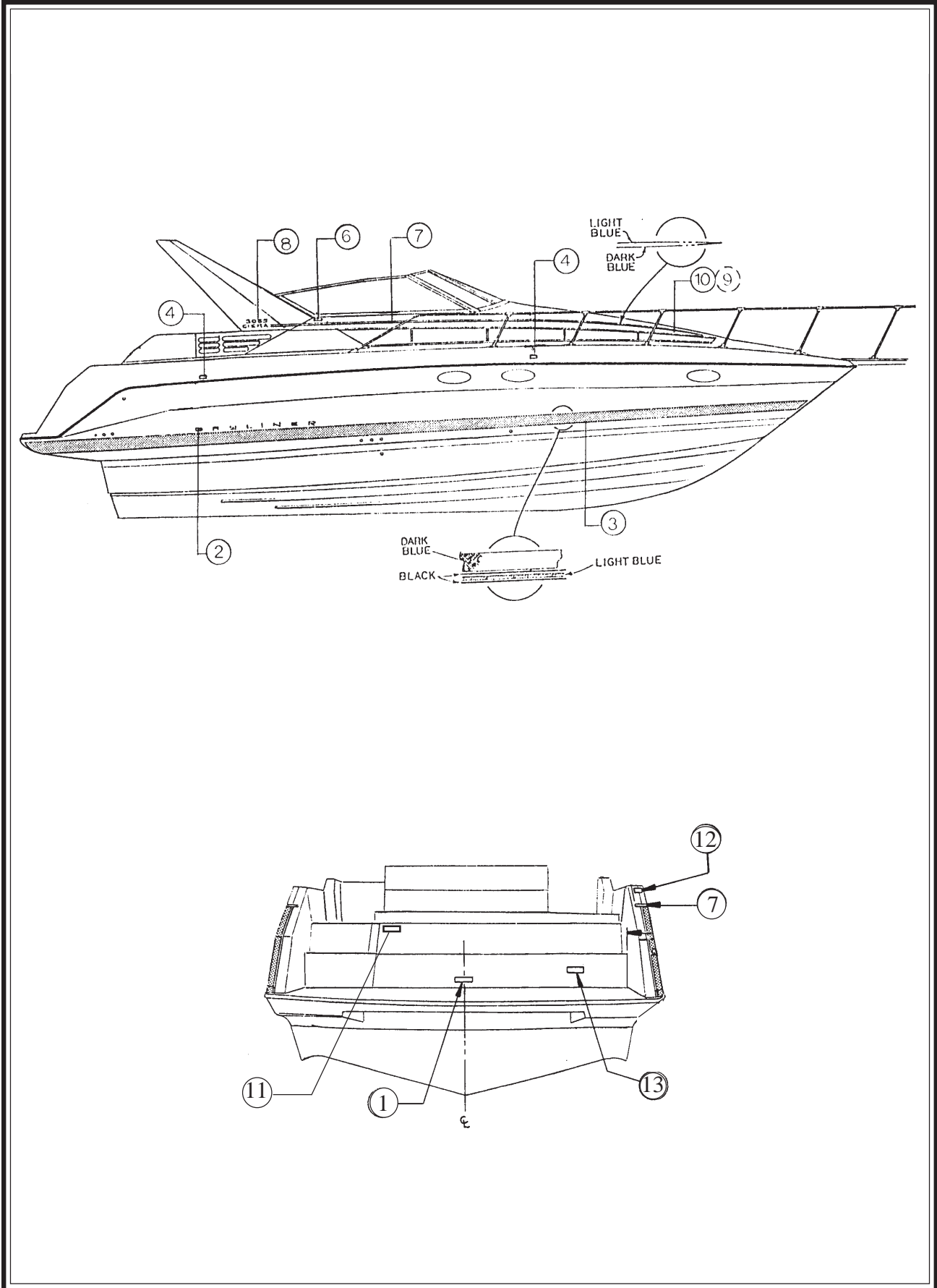


ADDITIONAL DRAWINGS ON FOLLOWING PAGE

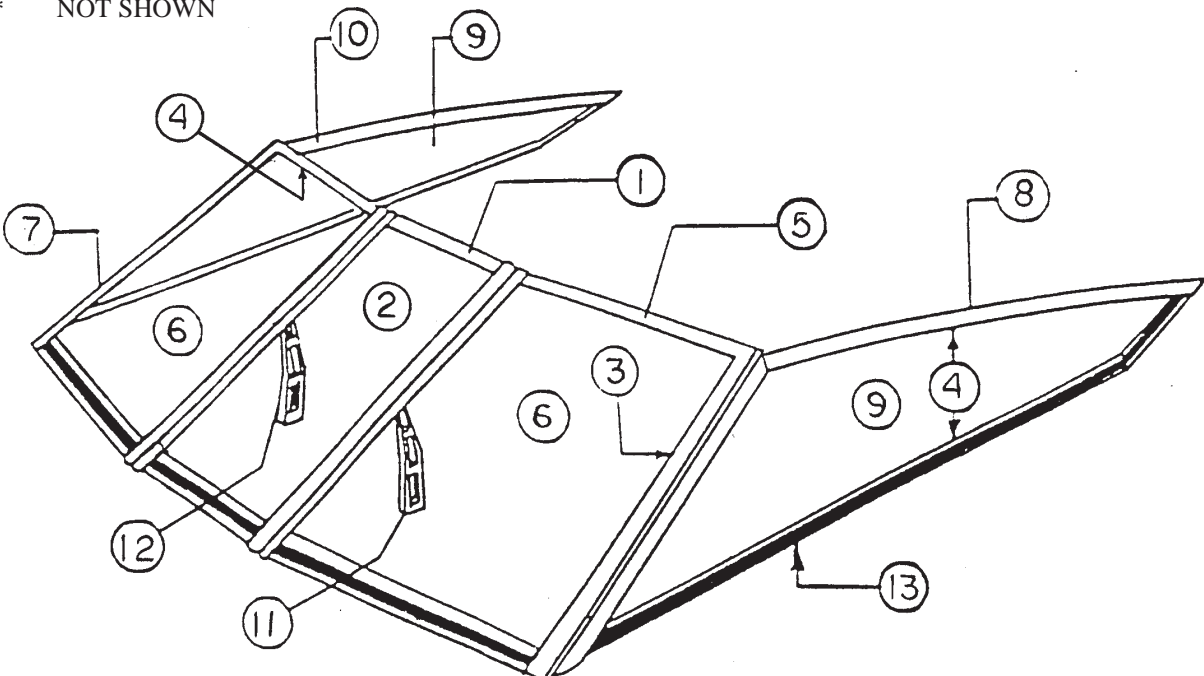




ITEM NO.	PART NUMBER	PART DESCRIPTION	U/M	QTY.
<b>HULL INT LABELS</b>				
*	OIL DEC	OIL DISCHARGE DECAL	EA	1
*	3885-A	BATT INSTALLATION/COMPL LABEL	EA	1
*	31941	AC VOLT/FREQUENCY LABEL	EA	1
*	48034	USM SUBASSY QUALITY DECAL	EA	1
*	39331	GARBAGE DISCHARGE PLACARDS	EA	1
<b>HULL EXT TAPES &amp; LABELS</b>				
1	8033	MARINE CORE LABEL	EA	1
2	55783	BAYLINER LOGO	EA	2
3	55877	WATERLINE TAPE	FT	80
4	11024	SLING LABEL	EA	4
*	55905	CLEAN UP TAPE, 1/2"	FT	27
<b>DECK TAPES &amp; LABELS</b>				
5	10848	NMMA/CG LABEL 2"DIAMETER	EA	1
6	6336	LABEL SEQU. LIFT HULL	EA	2
7	55111	DECK STRIPE	FT	55
8	55788	3055 LOGO	EA	2
9	55243	PORT DART	EA	1
10	55244	STBD DART	EA	1
11	55662	LABLE,USM/THANKS/5YEAR	EA	1
*	52047	CARBON MONOXIDE HAZARD LABEL	EA	1
12	32219	FUEL WARNING LABEL	EA	1
13	53827	SWIM STEP WARNING LABEL	EA	1
*	NOT SHOWN			
SEE DRAWINGS ON FOLLOWING PAGE				



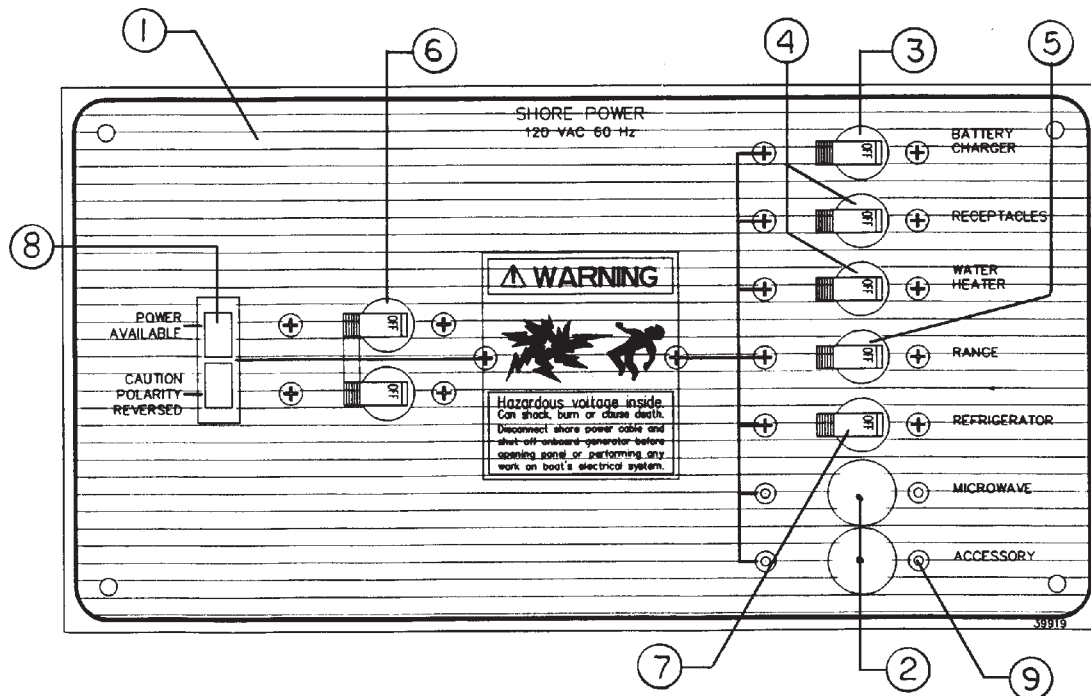
ITEM NO.	PART NUMBER	PART DESCRIPTION	U/M	QTY.
<b>WINDSHIELD SYSTEM</b>				
	53186	<b>WINDSHIELD SYSTEM - 3055EP</b>	EA	1
1	53186-XC	<b>CENTER PANEL</b>	EA	1
2	33523-01	CENTER PANEL GLASS	EA	1
3	9767	INTERLOCK RIGID VINYL HM	FT	5
4	50113	CURVED GLAZING VINYL	FT	11
*	54244	WALK-THRU CAUTION LABEL	EA	1
5	53186-XF	<b>PORT FRONT PANEL</b>	EA	1
6	33523-02	PORT FRONT PANEL GLASS	EA	1
3	9767	INTERLOCK RIGID VINYL HM	FT	6
4	50113	CURVED GLAZING VINYL	FT	11
7	53186-XH	<b>STBD FRONT PANEL</b>	EA	1
6	33523-02	STBD FRONT PANEL GLASS	EA	1
3	9767	INTERLOCK RIGID VINYL HM	FT	6
4	50113	CURVED GLAZING VINYL	FT	11
8	53186-XJ	<b>PORT WING SECT I (FWD)</b>	EA	1
9	33523-04	PORT WING PANEL GLASS	EA	1
3	9767	INTERLOCK RIGID VINYL HM	FT	3
4	50113	CURVED GLAZING VINYL	FT	15
10	53186-XN	<b>STBD WING SECT I (FWD)</b>	EA	1
9	33523-04	STBD WING PANEL GLASS	EA	1
3	9767	INTERLOCK RIGID VINYL HM	FT	3
4	50113	CURVED GLAZING VINYL	FT	11
<b>KITS</b>				
11	6148	4 1/2" WNDSHD BRACE	EA	1
12	34757	STBD BRACE 6 5/8" (TUBE TYPE)	EA	1
13	50997	SCREW COVER KIT	EA	1
*	6618	1/8X3/4X20 FT W/S TAPE	FT	40
*	10994	8 X 3/4 PPH BLK OX/SS	EA	4
* NOT SHOWN				



ITEM NO.	PART NUMBER	PART DESCRIPTION	U/M	QTY.
		<b>EXTERIOR LIGHTS</b>		
*	52928	DREAM WHITE LIGHT	EA	3
		<b>INTERIOR LIGHTS</b>		
*	52928	DREAM WHITE LIGHT	EA	5
*	53918	WHITE READER LIGHT	EA	2
*	56070	4" SURF MT DREAM WHT PLAS W/RCKR SWITCH	EA	10
*	11184	LIGHT FLUORESCENT-15 1/2"	EA	2
		<b>ELECTRICAL HARDWARE</b>		
*	55223	15 AMP BATTERY CHARGER 110/220V	EA	1
*	1705	WEATHER PROOF COVER	EA	1
*	51628	WALL BOX F/GFI (FIBRE)	EA	1
*	51512	GROUND FAULT RECEPTACLE	EA	1
*	9015	COVER PLATE F/GFR	EA	1
*	35608	LIGHT SWITCH BOX PUTTY	EA	1
*	13124	ZINC SAVER 100 AMP	EA	1
*	274	POWER INLET 30AMP	EA	1
*	275	CORD W/RING 50'(30 AMP)	EA	1
*	14679	<b>3 LIGHT-SWITCH PLATE ASSY</b>	EA	1
		<b>SWITCH PANEL</b>		
*	13699	3 LIGHT SWITCH PLATE	EA	1
*	10893	SWITCH-SPST OFF-ON	EA	3
		<b>HELM CONSOLE</b>		
*	57257	PANEL BLANK, TRIM TAB SWITCH	EA	1
*	38200-A	COMPASS FLUSH MOUNT W/PLUG 24MIN	EA	1
		<b>NAV &amp; ANCHOR LIGHTS</b>		
*	13984	22" ALL-AROUND STEAMING LIGHT	EA	1
*	316	BOW LITE MICRO MINI	EA	1
		<b>AUDIO VISUAL EQUIPMENT</b>		
*	31531	SPEAKER 4X10 OVAL	PR	2
*	53917	DIGITAL STEREO/CASSETTE-	EA	1
*	52184	DIGITAL STEREO HARNESS	EA	1
*	36845	MAG RACK BLACK	EA	1
*	3612	MARINE ANTENNA	EA	1
		<b>COMMUNICATION EQUIPMENT</b>		
*	36766	ECLIPSE VHF RADIO 86	EA	1
*	36766-B	VHF RADIO BRACKET N/C	EA	1
*	11296	ANTENNA-8' VHF	EA	1
*	9683	RATCHET MOUNT FOR ANTENNA	EA	1
*	36766-H	VHF RADIO HARNESS N/C	EA	1
*	36767	FLUSH MOUNT SYSTEM F/VHF RADIO	EA	1
		<b>DEPTH SOUNDER SYSTEM</b>		
*	36923	DIGITAL DEPTH SOUNDER-SQUARE BEZEL	EA	1
*	37369	8 DEG TRANSDUCER W/40' CABLE	EA	1
		<b>WIPER ASSY</b>		
*	1364-A	WIPER ARM H/D 12.5"	EA	2
*	1856	WIPER MOTOR—CASE PACK	EA	2
*	35980-A	WIPER BLADE 20"	EA	2
*	NOT SHOWN			
<b>FOR DASH PANEL ASSEMBLY, SEE SECTION 10, ENGINE ACCESSORIES</b>				

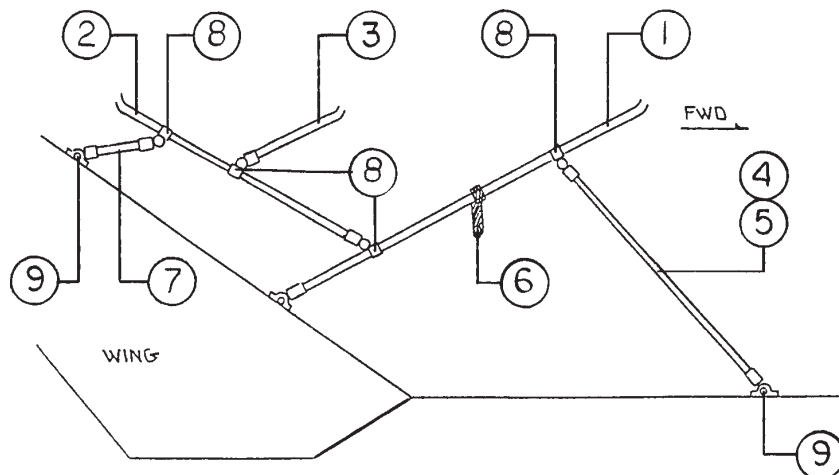
ITEM NO.	PART NUMBER	PART DESCRIPTION	U/M	QTY.
<b>BOAT ELEC WIRING</b>				
*	D56303	<b>PANEL ASSY, 110 DOCKSIDE CIRCUIT BREAKER PANEL</b>	EA	1
1	56303	PANEL BLANK	EA	1
2	2883	5/8" DOMED HOLE PLUG	EA	2
3	10740	5 AMP BRKR RED HNDL	EA	1
4	10742	15 AMP BRKR RED HNDL	EA	2
5	10743	20 AMP BRKR RED HNDL	EA	1
6	10823	30 AMP DBL POLE BRKR-RED	EA	1
7	11520	2 AMP BREAKER-RED	EA	1
8	11521	POLARITY LIGHT	EA	1
*	11527	BUSS BAR 3 1/2" 5 HOLE	EA	1
*	11531	6-32 X 1/4 PRH BLACK OX/SS	EA	9
9	12869	RIVET BLACK PLS #231-100841-01-2063	EA	4
*	33732	BUSS BAR ASSY 20 PRONG	EA	1
*	13168	SNAP CAP-BLACK	EA	4
*	13169	COUNTERSINK WASHER - CLEAR	EA	4
*	36703	EP DOCKSIDE HARNESS	EA	1
*	A50135	<b>PANEL ASSY, MACERATOR SWITCH PANEL (INSIDE HEAD)</b>	EA	1
*	10894	SWITCH SPST-OFF(ON) (HORN)	EA	2
*	50135	PANEL BLANK, MACERATOR	EA	1

\* NOT SHOWN



ITEM NO.	PART NUMBER	PART DESCRIPTION	U/M	QTY.
<b>CANVAS ASSEMBLY (DREAM WHITE)</b>				
*	55930	BIMINI TOP	EA	1
<b>BIMINI TOP BOW ASSY</b>				
<b>TOP CANVAS BOWS</b>				
1	56572-A	#1 MAIN BOW	EA	1
2	56572-B	#2 BOW	EA	1
3	56572-C	#3 BOW	EA	1
4	56572-D	PORT FWD BRACE	EA	1
5	56572-E	STBD FWD BRACE	EA	1
6	53093	FWD BRACE RETAINING STRAP	EA	2
7	56572-G	AFT BRACE	EA	2
8	11817	TOP SLIDE/CAP ASSY-1"SS	EA	8
9	55695	ANGLED DECK HINGE/CAP ASSY-1" SS	EA	6
<b>MISC. CANVAS PARTS</b>				
*	50037	CANVAS-DREAM WHITE	LY	
*	12293	1" GRAY NYLON WEBBING	FT	
*	33890	GRAY CANVAS WATER SEAL	FT	
*	81	X2-10128 DUR FAS BUT	C	
*	82	XB-10224 DUR FAS SKT	C	
*	83	BS-10370 DUR FAS STD	C	
*	84	BS-10412 DUR FAS EYE	C	
*	87	XB-10393-20 DUR FAS STD	C	
*	88	BS-78403 COM SEN EYE	C	
*	89	BS-78505 COM SEN WASH	C	
*	90	XB-78322 COM SEN 2 HL STD	EA	
*	35631	AWNING RAIL INSERT-BLACK	FT	
*	33890	GRAY CANVAS WATER SEAL	FT	
*	32244	1" BLACK NYLON WEBBING	FT	
*	11563	SMALL BASE CANVAS SNAP	EA	
*	55931	BIMINI BOOT	EA	1
*	55932	BIMINI W/S CURTAIN	EA	1
*	55933	SIDE CURTAIN	EA	1
*	55934	CRUISE CURTAIN	EA	1

\* NOT SHOWN

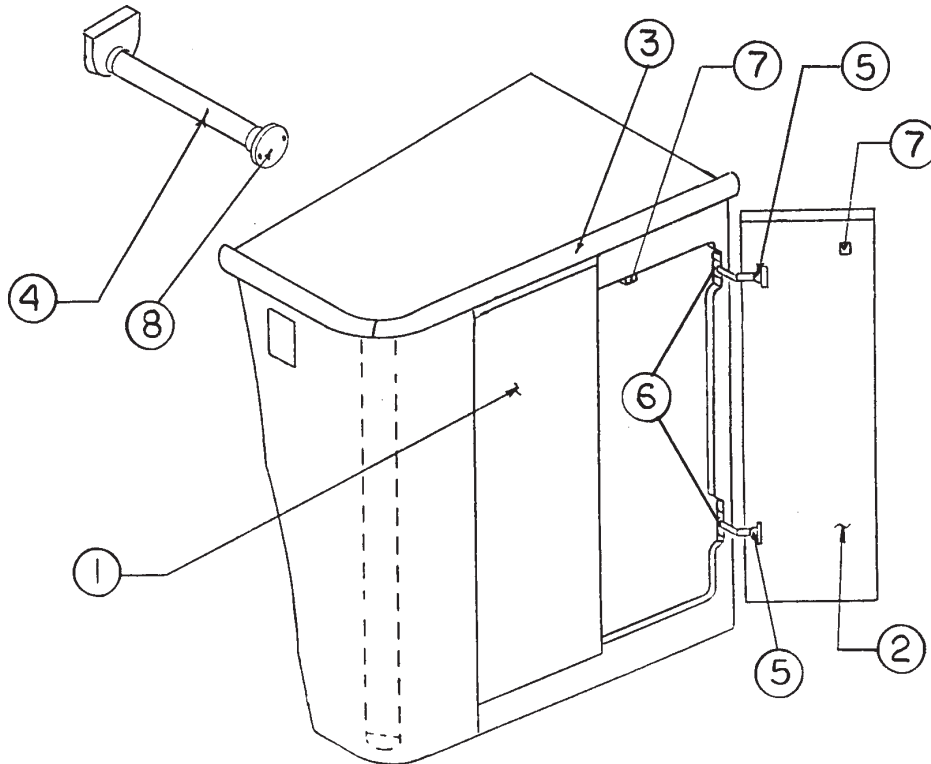


ITEM NO.	PART NUMBER	PART DESCRIPTION	U/M	QTY.
<b>STEERING SYSTEM</b>				
*	16077	16" WHEEL 3/4 TAPER 10 DEG	EA	1
*	11959	90 DEG BEZEL KIT	EA	1
*	11958	STEERING HELM ASSY	EA	1
*	11962	FRICITION KNOB	EA	1
<b>ENGINE FUEL SYSTEM</b>				
*	11992	FUEL FILL CHROME BRASS	EA	1
*	32219	GAS FUEL WARNING LABEL-I/O & INBRD	EA	1
*	625	1-1/2FUEL FILL,1 1/2"	FT	9
*	36179-A	TANK FUEL 125 GAL-EP	EA	1
*	623	HOSE,FUEL VENT,5/8"	FT	10
*	1703	GAS TANK VENT	EA	1
<b>ENGINE VENT SYSTEM</b>				
*	56380	VENT, LOUVER, STBD	EA	1
*	56381	VENT, LOUVER,PORT	EA	1
*	52352	VENT BOTTOM -PORT	EA	1
*	52351	VENT BOTTOM-STBD	EA	1
*	38669	4" FLANGE	EA	4
*	279	HOSE VENT 4"	FT	19
*	56772	4" BLOWER (WATER PROOF)	EA	1
*	NOT SHOWN			

ENGINE OPTIONS CONTINUED ON PAGE 38

ITEM NO.	PART NUMBER	PART DESCRIPTION	U/M	QTY.
<b>ENTRY DOOR ASSY</b>				
*	38133	ENTRY DOOR PLEX EP	EA	1
*	54639	LATCH COVERED ENTRY	EA	1
*	9852	ENTRY STRIKER PLATE	W	
*	13677	ENTRY TRIM-SS/EB	EA	1
*	35953	ENTRY GUTTER-25.5 LONG	EA	1
<b>HEAD/SHOWER ASSEMBLY</b>				
*	84834	HEAD ENTRY DOOR ASSY	EA	1
*	55904	T-TRIM 11/16" DREAM WHITE	FT	15
*	3669	2 X 2 CHROME BUTT HINGE	EA	3
*	39644	S/S PADDLE HINGE F/HEAD DOOR	EA	2
*	57690	RIM LATCH SET-NON KEYS	EA	1
*	35734	LATCH SHIM BLK ABS W/ROVEL CAP	EA	1
*	55185	WALL COVERING-IVORY	LY	7
<b>HANGING LOCKER ASSEMBLY</b>				
1	55293TL-01	12 X 37.5 NUETRAL WHITE DOOR	EA	1
2	55293TR6-01	12 X 37.5 NUETRAL WHITE DOOR	EA	1
3	56408	TEAK SEA RAIL	LF	5
4	6059	1 5/16" DOWEL	LF	2
5	12228	CABNT HINGE W/BLK CAP-1006VZ	EA	4
*	53498	SPACER F/12298	EA	4
6	12239	ANGLE BASEPLATE FOR 1006-VZ	EA	4
7	6199	NYLATCH ROLL CATCH W/STKR	EA	2
*	55293-T	EDGE BAND-13/16" NUETRAL WHITE	FT	4
8	#W1323-35	CLOSET POLE SOCKETS	ST	1
*	55318	DRAWER PULL,DREAM WHITE	EA	2

\* NOT SHOWN





ITEM NO.	PART NUMBER	PART DESCRIPTION	U/M	QTY.
<b>GALLEY ASSEMBLY</b>				
1	52441	ASH ELLIPTICAL SEA RAIL	LF	11
2	55293TL6-02	10.25 X 30 NUETRAL WHITE DOOR	EA	1
3	55293TR6-01	11.875 X 30 NUETRAL WHITE DOOR	EA	1
4	55293TL6-03	11.875 X 30 NUETRAL WHITE DOOR	EA	1
*	12228	CABNT HINGE W/BLK CAP	EA	6
*	53498	SPACER F/12228	EA	6
*	12239	ANGLE BASEPLATE	EA	6
*	S-49	DRAWER ASSY, 5 X 9	EA	1
*	55293T-0-01	8.5 X 15 DRAWER FACE	EA	2
*	S-156	DRAWER SLIDER	EA	2
*	6199	NYLATCH ROLL CATCH W/STKR	EA	3
*	55318	DRAWER PULL,DREAM WHITE	EA	5
*	55293-T	EDGE BAND-13/16 NUETRAL WHITE	FT	12
5	84835	SPICE CABINET SLIDER DOOR	EA	2
*	12317	SLIDER TRACK-TOP-2X1/8"BLACKX12'	FT	6
*	12318	SLIDER TRACK-BOTTOM-2X1/8"BLACKX12'	FT	6
*	6982	BLK PLASTIC FINGER PULL	EA	2
6	36187	GALLEY FAUCET	EA	1
7	10846	ALCOHOL/ELECTRIC STOVE	EA	1
8	39753	4" SURFACE MOUNT LIGHT	EA	3
9	51075	MICROWAVE, .4 CF (OPTIONAL)	EA	1
<b>MISC WOOD SHOP ASSY'S</b>				
*	84836	ROPE LOCKER DOOR	EA	1
*	334	HINGE FLAT 3/4"	EA	1
* NOT SHOWN				

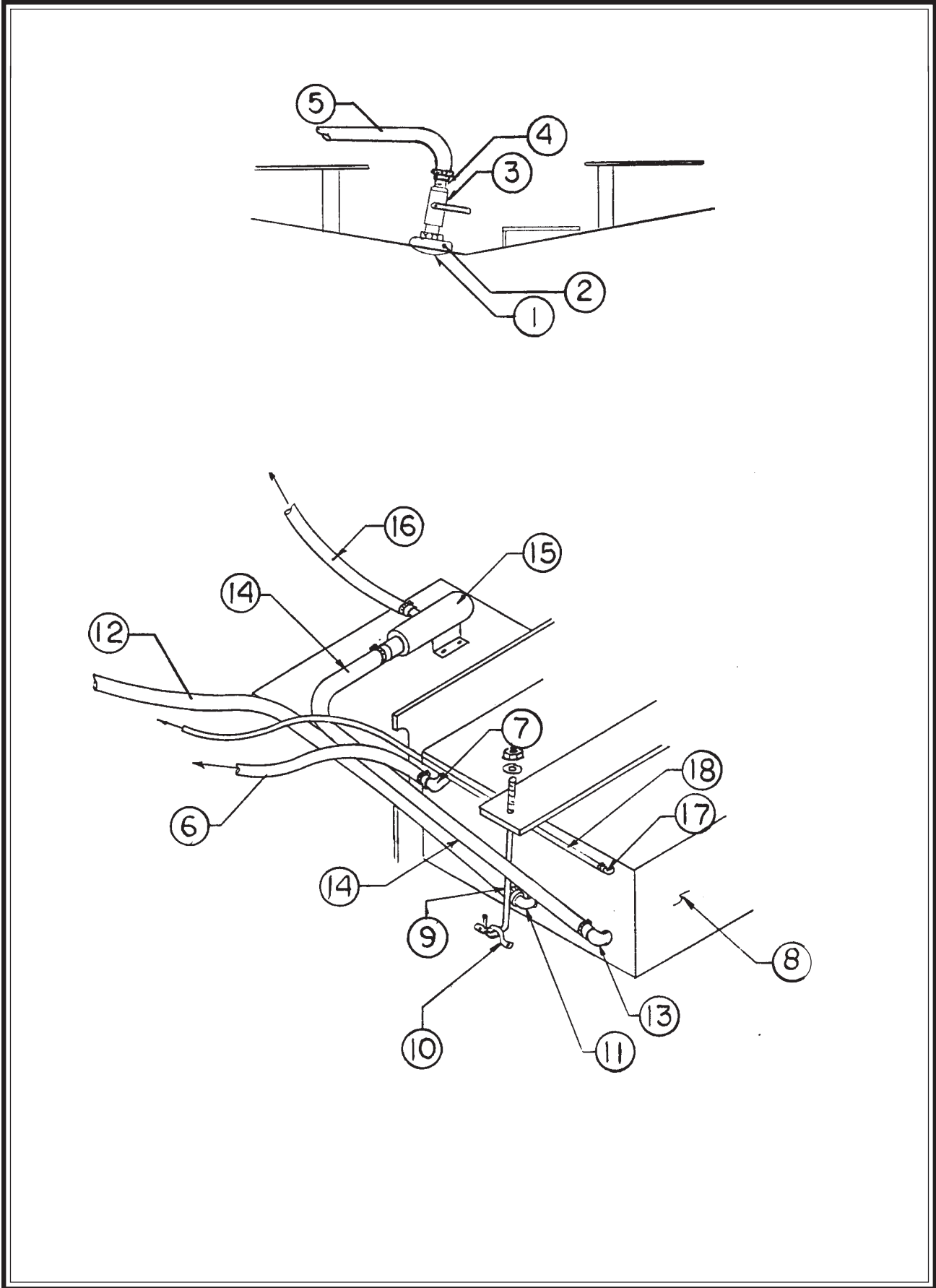
**PLUMBING AND FIXTURES  
SECTION 14**

3055 EP 1994



ITEM NO.	PART NUMBER	PART DESCRIPTION	U/M	QTY.
		<b>BILGE PUMP SYSTEM - AFT</b>		
*	12528	AUTO FLOAT SWITCH UN24	EA	1
*	52126	BILGE PUMP-1100GPH UN12	EA	1
*	1691	HOSE,BILGE,1 1/8"- 250'/REEL	FT	8
*	8562	THRU HULL,PLASTIC 1 1/8"	EA	1
		<b>FRESH WATER SYSTEM</b>		
*	11993	WATER FILL CHROME BRASS UN25	EA	1
*	13120	POTABLE WATER WARNING LABEL	EA	1
*	1300	DRAIN HOSE 1.5" WHITE VINYL-100'	FT	10
*	13190	1.5" NYLON STRAIGHT MALE ADAPTER	EA	1
*	34749	36 GAL WATER TANK	EA	1
*	4P-MP-IN	1/2 PL IN M ADP	EA	1
*	1271	HOSE ,VENT 9/16" CLR 200'	FT	12
*	1703	TANK VENT	EA	1
*	34071	5/8 PLYBUTYLENE PIPE	FT	100
*	39974	FRESH WATER PUMP W/FILTER	ST	1
*	54379	WATER HEATER-6 GAL	EA	1
*	2840	1/4" ID POLY TUBING	FT	3
*	3183	LOOM CLAMP-3/8" PLASTIC	EA	3
*	53278	COMBO MIXER FAUCET/SPRAY	EA	1
*	53280	WALL BRACKET F/50120	EA	1
*	36187	GALLEY FAUCET, CHROME	EA	1
*	2000	ILUM ROCKER SWITCH	EA	1
*	7330	BACKING PLATE-ALUM SWITCH	EA	1
*	1179	WATER PUMP LABEL	EA	1
*	53279	TRANSOM SHOWER NO COVER	EA	1
*	13840	TOUCH-FLO FAUCET	EA	1
*	51896	STRAIGHT FEMALE ADAPTER	EA	8
*	52123	ELBOW 1/2"NPT X 1/2" FLAIR	EA	2
*	52124	ADAPTOR 1/2" NPT X 1/2 FLAIR	EA	1
*	50912	1/2 FL X 1/2 MPT 90 DEGREE ELBOW	EA	1
*	50915	1/2 X 1/2 X 1/2 FL TEE	EA	8
*	1307	1/2" CHECK VALVE	EA	1
*	51074	1/2" DRAIN CAP	EA	2
*	NOT SHOWN			

ITEM NO.	PART NUMBER	PART DESCRIPTION	U/M	QTY.
<b>MARINE HEAD SYSTEM-AFT</b>				
1	57223	SEA STRAINER	EA	1
2	14486	3/4" BRZN THRU HULL CONN	EA	1
3	14791	3/4" SEACOCK	EA	1
4	31229	3/4" BRBX3/4"MIPT W/1.5" BARB	EA	1
*	13229	HEAD PICK-UP LABEL	EA	1
5	1115	SFTWL H2O HOSE 3/4"L	FT	6
*	13996	LEFT-HAND MARINE HEAD	EA	1
6	13706	1-1/2" SANITATION HOSE-50'RL	FT	6
7	13192	1.5" 90D NYLON MALE ADAPTER	EA	1
8	3915-B	WATER/HOLDING TANK-13 GAL	EA	1
9	562-11	MACH J-BOLT 1/4 X 11"	EA	2
10	2816-1	CHROME EYE STRAP	EA	2
11	13192	1.5" 90D NYLON MALE ADAPTER	EA	1
12	13706	1-1/2" SANITATION HOSE	FT	9
*	11995	DECK WASTE FITTING BRASS	EA	1
13	13192	1.5" 90D NYLON MALE ADAPTER	EA	1
14	13706	1-1/2" SANITATION HOSE	FT	4
15	4278-A	MACERATOR PUMP W/BARB	EA	1
16	12791	1" SANITATION HOSE	FT	4
*	6637	THRU HULL PLAS 1"	EA	1
17	4P-MP-IN9E	1/2 90D PL IN M ADP	EA	1
18	1271	HOSE WATER 9/16" CLR	FT	10
*	1703	GAS TANK VENT	EA	1
*	10871	HOLDING TANK LABEL	EA	1
*	10872	OVERBOARD LABEL	EA	1
<b>SHOWER DRAIN SYSTEM-AFT</b>				
*	8948	SHOWER PUMP DRAIN	EA	1
*	38475	SHOWER PAN SUMP	EA	1
*	709	THRUHULL PLAS 1.5"	EA	1
*	1300	DRAIN HOSE 1.5" WHITE VINYL	FT	3
*	37690	SHOWER SUMP PUMP SYSTEM	EA	1
*	1272	HOSE-3/4" ID X 1" OD	FT	10
*	708	THRU HULL PLAS 3/4"	EA	1
<b>MIDSHIP BILGE PUMP SYS</b>				
*	1370	AUTO FLOAT SWITCH	EA	1
*	3421	500 GPH BILGE PUMP	EA	1
*	1272	HOSE-3/4" ID X 1" OD	FT	10
*	708	THRU HULL PLAS 3/4"	EA	1
* NOT SHOWN				
<b>DRAWING ON FOLLOWING PAGE</b>				



ITEM NO.	PART NUMBER	PART DESCRIPTION	U/M	QTY.
<b>SINK DRAIN SYSTEM</b>				
*	39653	2" S/S SINK STRAINER (COCKPIT SINK)	EA	1
*	4790-W	DRAIN WASHER	EA	1
*	9758	WASTE ARM 1.5X15	EA	1
*	1300	DRAIN HOSE 1.5" WHITE VINYL	FT	10
*	709	THRUHULL PLAS 1.5"	EA	1
*	36268	10X13 ABS WHITE OVAL SINK (HEAD SINK)	EA	1
*	38980	1.5" FITTING ADAPTER	EA	1
*	9758	WASTE ARM 1.5X15	EA	1
*	1300	DRAIN HOSE 1.5" WHITE VINYL	FT	2
*	709	THRUHULL PLAS 1.5"	EA	1
*	36186	SINK-15" S/S ROUND (GALLEY SINK)	EA	1
*	36339	3 1/2" WHITE PLAST DRAIN	EA	1
*	9758	WASTE ARM 1.5X15	EA	1
*	1300	DRAIN HOSE 1.5" WHITE VINYL	FT	2
*	709	THRUHULL PLAS 1.5"	EA	1
<b>DECK DRAIN SYSTEM</b>				
*	8492	THRU-HULL,REV FLANGE 1 1/2"(AFT COCKPIT)	EA	4
*	13193	ADAPTER,FEMALE,NYLON 1.5" 90 DEG	EA	4
*	1300	DRAIN HOSE 1.5" WHITE VINYL	FT	12
*	709	THRUHULL PLAS 1.5" (STEP DRAIN)	EA	4
*	8492	THRU-HULL,REV FLANGE 1 1/2"	EA	1
*	13193	ADAPTER,FEMALE,NYLON 1.5" 90 DEG	EA	1
*	1300	DRAIN HOSE 1.5" WHITE VINYL	FT	5
*	709	THRUHULL PLAS 1.5"	EA	1
*	5P-MP-IN9E	3/4 90D PL IN M ADP (BUMPER STORAGE)	EA	1
*	1272	HOSE-3/4" ID X 1" OD	FT	3
*	708	THRU HULL PLAS 3/4"	EA	1
* NOT SHOWN				



ITEM NO.	PART NUMBER	PART DESCRIPTION	U/M	QTY.
		<b>MANUALS</b>		
*	56898	CIERA '94 OWNERS MANUAL	EA	1
*	52029	NAUTOLEX VINYL CARE AND CLEANING	EA	1
*	13374	MARINCO SHORE POWER HANDBOOK	EA	1
*	NOT SHOWN			

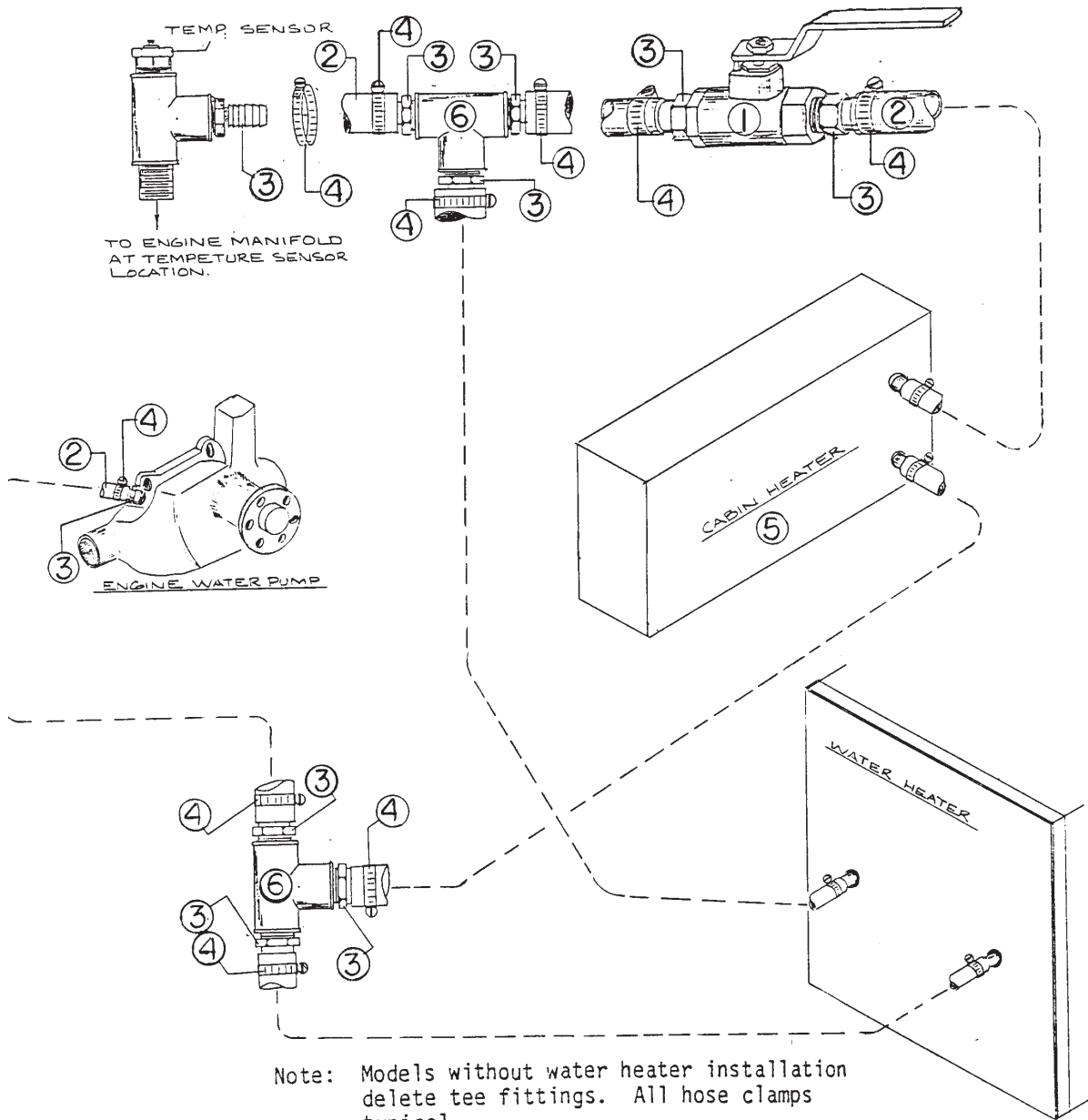
ITEM NO.	PART NUMBER	PART DESCRIPTION	U/M	QTY.
<b>BOTTOM PAINT OPTION</b>				
<b>LAM HULL</b>				
*	31148	BOTTOMKOTE FBGS-BLACK	GL	2
<b>MICROWAVE OVEN OPTION</b>				
<b>HULL INT ASSY HARDWARE</b>				
*	51075	MICROWAVE .4 CF WHITE FRONT	EA	1
<b>HULL INT LABELS</b>				
*	10391	MICROWAVE LABEL	EA	1
<b>ELECTRICAL HARDWARE</b>				
*	1704	DUPLEX RECEP IVORY	EA	1
*	1713	COVER PLATE UN20	EA	1
*	10742	15 AMP BRKR RED HNDL	EA	1
*	11531	6-32 X 1/4 PRH BLACK OX/SS	C	1
<b>220V MICROWAVE OPTION</b>				
<b>HULL INT ASSY HARDWARE</b>				
*	52045	220 V MICROWAVE	EA	1
*	10391	MICROWAVE LABEL	EA	1
<b>MICROWAVE CABINET ASSY</b>				
*	81457	CABINET SLIDER DOORS	EA	2
*	6982	FINGER PULL	EA	2
*	12317	SLIDER TRACK, TOP	FT	3
*	12318	SLIDER TRACK, LOWER	FT	3
<b>REMOTE CONTROL SPOTLIGHT OPTION</b>				
*	39918	REMOTE CONTRL SEARCHLIGHT W/6' PIGTAIL	EA	1
*	50499	SPOTLIGHT COVER (BLACK SUNBRELLA)	EA	1
*	13373	SPOTLIGHT BRACKET	EA	1
*	50526	SPOTLIGHT BACKING PLATE	EA	1
*	14761-A	SPOTLIGHT HARNESS	EA	1
*	NOT SHOWN			

ITEM NO.	PART NUMBER	PART DESCRIPTION	U/M	QTY.
<b>220V/50HZ ELECTRICAL CONVERSION OPT</b>				
<b>BOAT ELEC WIRING</b>				
*	E56303	PANEL ASSY, 220 DOCKSIDE CIRCUIT BREAKER PANEL	EA	1
*	2883	5/8" DOMED HOLE PLUG	EA	2
*	10740	5 AMP BRKR RED HNDL	EA	1
*	10741	10 AMP BRKR RED HNDL	EA	3
*	11520	2 AMP BREAKER-RED	EA	1
*	11521	POLARITY LIGHT	EA	1
*	11527	BUSS BAR 3 1/2" 5 HOLE	EA	1
*	12869	RIVET BLACK PLS #231-100841-01-20	EA	4
*	33732	BUSS BAR ASSY 20 PRONG	EA	1
*	35398	15 AMP DBL POLE BRKR RED	EA	1
*	56303	PANEL BLANK	EA	1
<b>HULL INT ASSY HARDWARE</b>				
*	34859	REFERIGERATOR 220V/50H	EA	1
*	34864	ALCHL ELCT STVE GLASS TOP 220V/50H	EA	1
<b>HULL INT LABELS</b>				
*	35034	LABEL 220 VAC 50HZ EXPORT	EA	1
<b>ELECTRICAL HARDWARE</b>				
*	34865	POWER INLET 16AMP 220V/50H	EA	1
*	34866	CORD W/RING 50' 16AMP 220V/50HZ	EA	1
*	232	BLANK PLATE	EA	4
*	7090	WALL BOX	EA	1
<b>FRESH WATER SYSTEM</b>				
*	54472	WATER HEATER 6 GAL 220V	EA	1
*	NOT SHOWN			

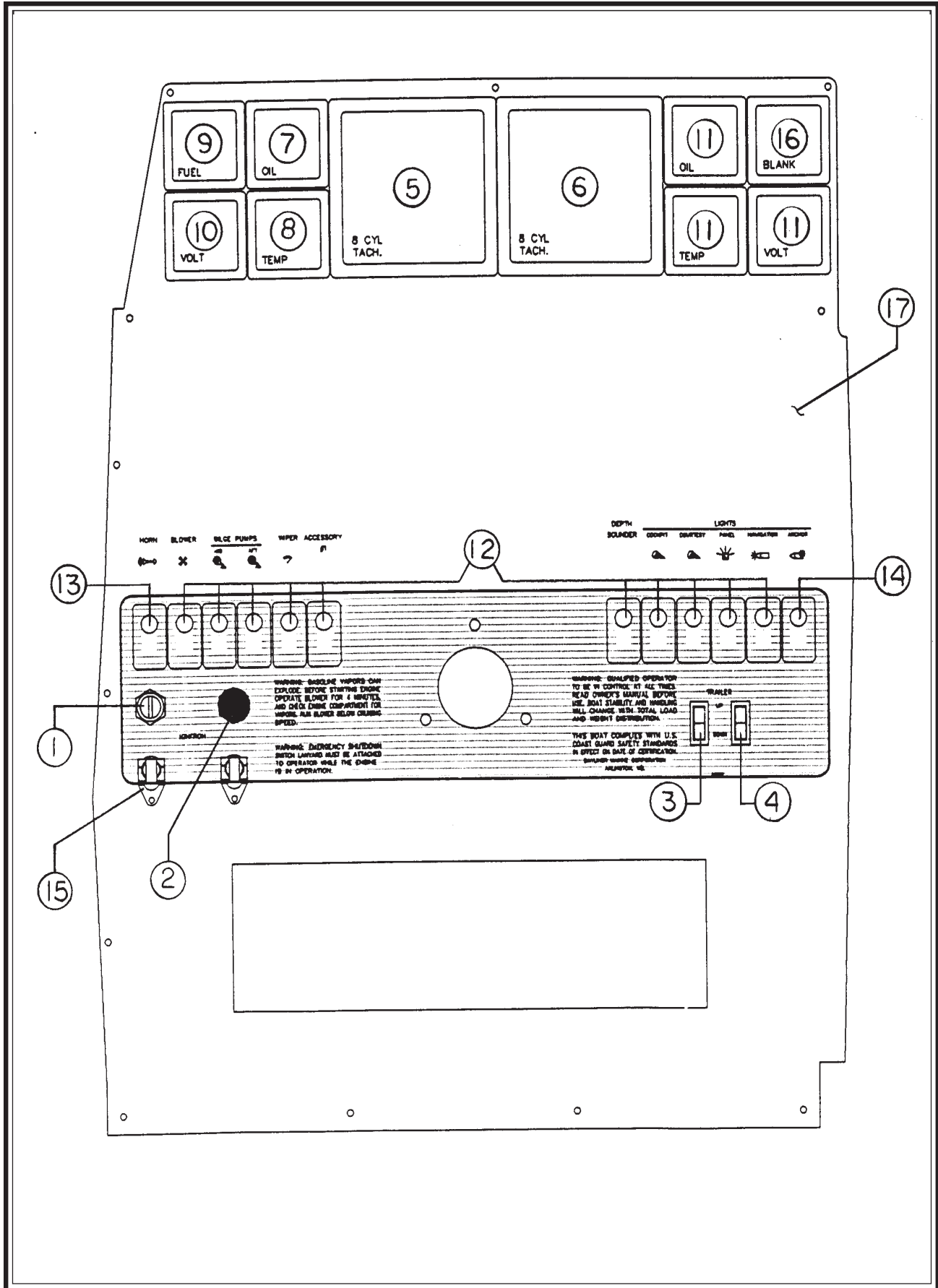


ITEM NO.	PART NUMBER	PART DESCRIPTION	U/M	QTY.
<b>CABIN HEAT(FRESH WATER COOLING REQUIRED)</b>				
1	14790	1/2" BALLVALVE	EA	1
2	1114	SOFT WALL WATER HOSE,5/8"	EA	1
3	1181-EC	MALE ADAPTER	EA	1
4	1532	HOSE CLAMP	EA	1
*	3667	HEATER SWITCH SPDT ON-OFF ON	EA	1
*	3668	HEATER LABLE	EA	1
*	55949	HEATER,2 FAN	EA	1
<b>NOTE: ON MODELS WITH ELECTRIC WATER HEATER, ORDER ADDITIONAL PARTS BELOW. (FRESH WATER COOLING REQUIRED.)</b>				
3	1181-EC	MALE ADAPTER,5/8" BRB X 1/2" MIP	EA	1
4	1532	HOSE CLAMP,1 3/8"	EA	1
6	4G-T	GALVANIZED TEE,1/2"	EA	1
*	55493	HOUR METER (1994)	EA	1
* NOT SHOWN				
<b>SEE DRAWING ON FOLLOWING PAGE</b>				

CABIN HEAT INSTALLATION W/WATER HEATER INSTALLED

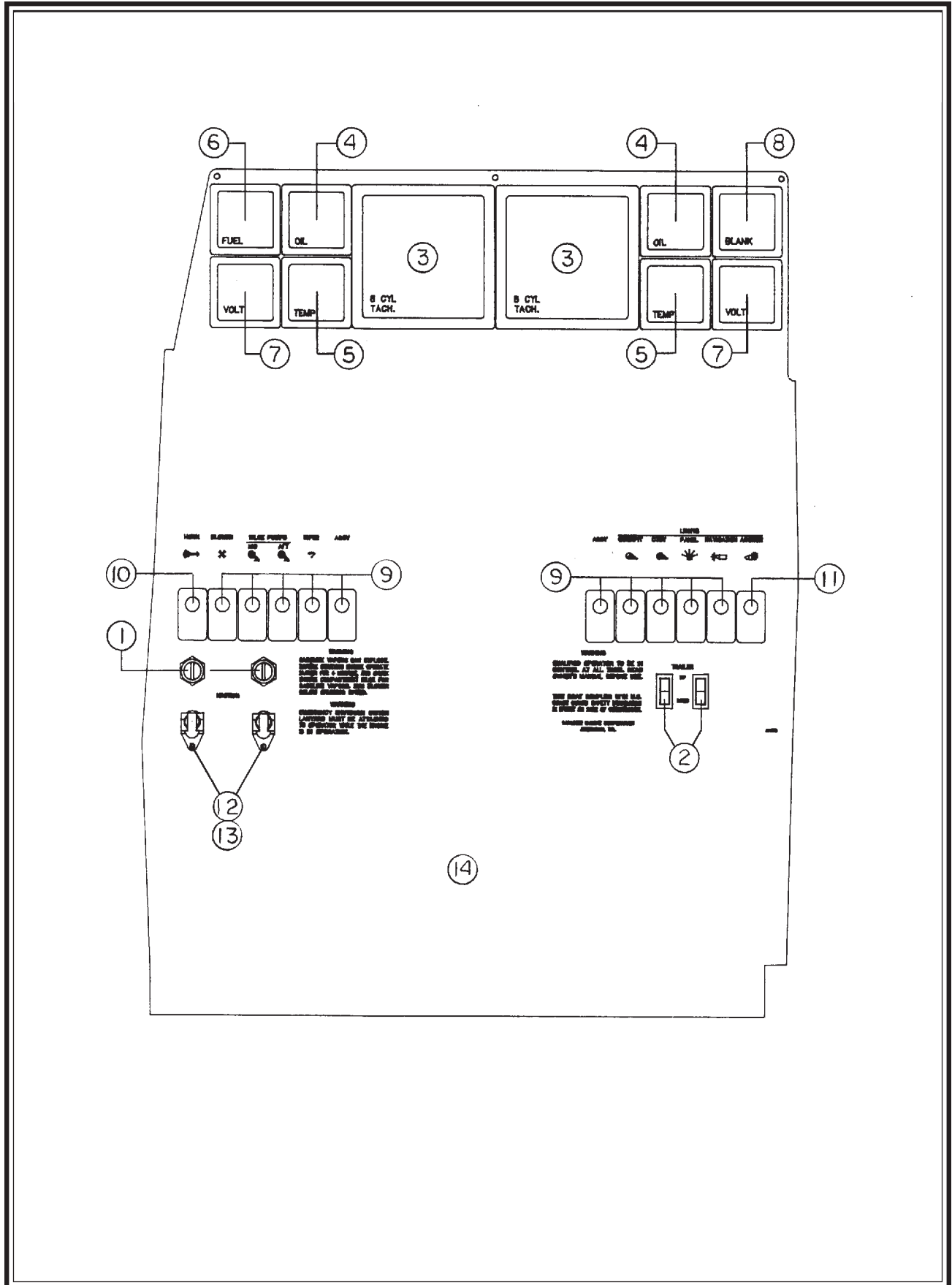


ITEM NO.	PART NUMBER	PART DESCRIPTION	U/M	QTY.
<b>7.4L BRAVO II</b>				
<b>BOAT ELEC WIRING</b>				
*	36699	<b>3055EP SINGLE ENG/ACCY HARNESS</b>	EA	1
<b>MISC. WIRE ASSY</b>				
*	6332	FUSE 20 AMP (AGC-20) #P-3087	EA	1
*	6164	SPEEDO HOSE .28ODX.16ID	FT	25
*	56129-A	<b>PANEL ASSY, EP SINGLE</b>	EA	1
*	14789	14 PLACE FUSEBLOCK/AUTO STYLE FUS	EA	2
<b>GAUGE PANEL</b>				
1	50606	IGNITION SWITCH FOR I/O	EA	1
2	3533	13/16 BLK DASH PLUG	EA	1
3	10894	SWITCH SPST-OFF(ON) (HORN)	EA	1
4	13431	HOLE PLUG FOR RECT. SWITCH	EA	1
5	57432	TACH, 4-6-8 CYL-EURO	EA	1
6	57435	SPEEDOMETER 65 MPH (EURO II)	EA	1
7	57436	OIL PRESSURE (EURO II)	EA	1
8	57437	WATER TEMP (EURO II)	EA	1
9	57438	FUEL LEVEL (EURO II)	EA	1
10	57439	VOLTMETER (EURO II)	EA	1
11	14808	SMALL GAUGE BLANK (EURO II)-BLACK	EA	3
12	31206	SWITCH SPST ON-OFF (EURO LOOK)	EA	10
13	31207	SWITCH SPST OFF(ON) (EURO LOOK)	EA	1
14	31208	SWITCH SPDT ON-ON (EURO LOOK)	EA	1
16	50007	DASH PANEL BLANK	EA	1
17	36923	DEPTH SOUNDER	EA	1
*	A53342-A	<b>PANEL ASSY, BATT SWITCH-CRUISERS</b>	EA	1
*	56838	BATTERY SWITCH-2 BATTERIES	EA	1
*	53342	BATTERY SWITCH BOX	EA	1
<b>ENGINE SYSTEMS</b>				
*	34100	300HP-MOD. 330 MERC BRAVO II ENG,SD	EA	1
*	36323	6" EXHAUST RISER KIT	EA	1
*	36618	RISER INSTALLATION KIT	EA	1
*	13997	PERFECT SEAL #4 SEALING COMPOUND	PT	1
*	34934	17 1/2 X 23 BRAVO PROP	EA	1
<b>SHIFTER &amp; CONTROL CABLE</b>				
*	33673	SHIFTER TOP MOUNT MERC	EA	1
*	34437	19' MERC CONTROL CABLE	EA	1
*	34436	18' MERC CONTROL CABLE	EA	1
<b>STEERING SYSTEM</b>				
*	11950	17' (RX-4) STR CABLE	EA	1
<b>ENGINE FUEL SYSTEM</b>				
*	624	HOSE,FUEL FEED,3/8"-250'/RL	FT	4
*	32575	1/2" ALUM PIPE PLUG	EA	1
<b>HULL INT LABELS</b>				
*	13121	BELT & PULLEY WARNING LABEL	EA	1
*	NOT SHOWN			



ITEM NO.	PART NUMBER	PART DESCRIPTION	U/M	QTY.
<b>T-D3.0L BRAVO II</b>				
<b>HULL BASIC HARDWARE</b>				
*	12776	1" SOUND BOARD W/VINYL BACK	SF	18
*	12777	TAPE FOR SOUND BOARD	RL	1
*	13469	WIND-LOCK PLATE	EA	10
<b>BOAT ELECTRIC WIRING</b>				
*	51596	ACCESSORY HARNESS (DSL EP TWIN)	EA	1
<b>DASH ASSEMBLY</b>				
*	56131-A		EA	1
*	10894	SWITCH SPST-OFF(ON) (HORN)	EA	2
*	57435	SPEEDOMETER 65 MPH	EA	1
*	57438	FUEL LEVEL	EA	1
*	31206	SWITCH SPST ON-OFF	EA	10
*	31207	SWITCH SPST OFF (ON)	EA	1
*	31208	SWITCH SPST ON-ON	EA	1
*	57391	PANEL BLANK	EA	1
*	51929	BATTERY CABLES	EA	1
<b>PANEL ASSY, BATTERY SWITCH TWIN</b>				
*	A39530-B		EA	1
*	56837	BATTERY SWITCH	EA	2
*	39530-A	PANEL BLANK, BATTERY SWITCH	EA	1
*	B39987	PANEL ASSEMBLY, DC BREAKER TWIN	EA	1
<b>ENGINE SYSTEMS</b>				
*	50811	183 CI DIESEL WB2 2.2:1 STN DRIVE	EA	2
*	51970	ENGINE MOUNT	EA	1
*	39421	17-3/4 X 21 MERC PROP LH	EA	1
*	34329	17-3/4 X 21 PROP RH	EA	1
<b>SHIFTER AND CONTROL CABLES</b>				
*	34432	MERC TWIN SHIFTER	EA	1
*	33725	15' KM CONTROL CABLE	EA	1
*	34436	18' KM CONTROL CABLE	EA	2
*	34435	20' KM CONTROL CABLE	EA	1
<b>STEERING SYSTEM</b>				
*	34431	STEERING TIE BAR	EA	1
*	11949	16' (RX-4) STEERING CABLE	EA	1
<b>ENGINE FUEL SYSTEM</b>				
*	11994	DIESEL FUEL FILL CHROME BRASS	EA	1
*	624	FUEL FEED HOSE, 3/8"	FT	14
*	13825	1/4 MPT X 90 DEGREE X 3/8 BRB BRASS	EA	2
*	1743	BRS 1/4" FUEL SHUTOFF VALVE	EA	2
*	694-EC	3/8 BRB X 1/4MIP BRS M ADP	EA	4
*	13370	RACOR 225R FUEL FILTER	EA	2
*	2XC-BN	1/4 X CLO BRS NPL	EA	1
<b>ENGINE WATER PICK-UP SYSTEM</b>				
*	230	1-1/4" HARDWALL WATER HOSE	FT	7
*	39575	1-1/4" CLOSE BRASS NIPPLE	EA	2
*	39576	1-1/4" BALL VALVE	EA	2
*	1510	90 DEGREE TAIL PIECE	EA	3
*	13227	ENGINE PICK-UP LABEL	EA	2
*	NOT SHOWN			

ITEM NO.	PART NUMBER	PART DESCRIPTION	U/M	QTY.
<b>T-D3.0L BRAVO II (CON'T)</b>				
<b>HULL INTERIOR LABELS</b>				
*	13121	BELT & PULLEY WARNING LABEL	EA	1
*	14000	NMMA FUEL INSP LABEL	EA	1
*	13236	PORT ENGINE LABEL	EA	1
*	13237	STBD ENGINE LABEL	EA	1
*	3885-A	BATTERY INSTALLATION/COMPLIANCE LABEL	EA	1
<b>ELECTRICAL HARDWARE</b>				
*	3727	DUAL BATTERY BOOT	EA	2
<b>DECK TAPES AND LABELS</b>				
*	31976	LOGO-DRIP MOLD DIESEL	EA	1
*	52039	ENGINE BREAK-IN LABEL	EA	4
<b>CANVAS ASSEMBLY</b>				
*	39583	SHIFTER/DASH COVER DUAL EP	EA	1
<b>HELM CONSOLE</b>				
*	52037	ALUM HELM BRACKET	EA	1
<b>T-5.0LX ALPHA I</b>				
<b>BOAT ELEC WIRING</b>				
*	36700	3055EP TWIN ENG/ACCY HARNESS	EA	1
*	56130-A	DASHASSY, EP TWIN	EA	1
<b>GAUGE PANEL</b>				
1	50606	IGNITION SWITCH FOR I/O	EA	2
2	10894	SWITCH SPST-OFF(ON) (HORN)	EA	2
3	57432	TACH, 4-6-8 CYL-EURO	EA	2
4	57436	OIL PRESSURE (EURO II)	EA	2
5	57437	WATER TEMP (EURO II)	EA	2
6	57438	FUEL LEVEL (EURO II)	EA	1
7	57439	VOLTMETER (EURO II)	EA	2
8	14808	SMALL GAUGE BLANK	EA	1
9	31206	SWITCH SPST ON-OFF (EURO LOOK)	EA	10
10	31207	SWITCH SPST OFF(ON) (EURO LOOK)	EA	1
11	31208	SWITCH SPDT ON-ON (EURO LOOK)	EA	1
*	14799	SPEEDOMETER 65 MPH (EURO II)	EA	1
14	57392	PANEL BLANK	EA	1
*	A39530-B	PANEL ASSY, BATT SWITCH EP/ER TWIN	EA	1
*	39530-A	BATTERY SWITCH PANEL BLANK	EA	1
*	56837	BATTERY SWITCH M 25	EA	2
*	B39987	PANEL ASSY, DC BREAKER EP/ER TWIN	EA	1
<b>CIRCUIT BREAKER PANEL</b>				
*	14810	12" BUSS BAR W/1" SPACING	EA	2
*	32393	6 AMP PUSH-TO-RESET BRKR,SNAP IN	EA	1
*	32395	10 AMP PUSH-TO-RESET BRKR,SNAP IN	EA	16
*	32396	15 AMP PUSH-TO-RESET BRKR,SNAP IN	EA	3
*	32397	20 AMP PUSH-TO-RESET BRKR,SNAP IN	EA	2
*	NOT SHOWN			
<b>DRAWING ON FOLLOWING PAGE</b>				



ITEM NO.	PART NUMBER	PART DESCRIPTION	U/M	QTY.
<b>T-5.0LX ALPHA I cont'd.</b>				
<b>ENGINE SYSTEMS</b>				
*	14688	205HP-MOD. 230 MERC ENG, S/D, T/P, PT	EA	2
*	36759	INVERTED FLARE FITTING FEMALE	EA	1
*	36758	INVERTED FLARE FITTING MALE	EA	1
*	13997	PERFECT SEAL #4 SEALING COMPOUND	PT	1
*	3727	DUAL BATT BOOT UN1144	EA	1
*	11141	BATTERY BOOT-SMALL	EA	1
*	2825	OIL PRS SWCH-STEWART-WARN	EA	1
*	3499	DUAL SENDER EXTENSION	EA	1
*	2X1BRB	1/4 X 1/8 BRS BUSH	EA	1
*	32558	14-1/2X17 MERC I/O PROP	EA	2
*	39381	ENGINE MOUNT EP/ER	EA	1
*	2B-PLUG	PIPE PLUG SQ HEAD 1/4BRS	EA	1
*	32298	1/4" X 1/8" OIL SENDER MANIFOLD	EA	1
*	32327	235 BRASS FITTING F/TWIN ASSY	EA	1
*	32402	OIL HOSE F/32298	EA	1
*	35570	1/4" OD X 1/8" MIP FLAIR FITTING	EA	1
*	53961	3/8-16X2" GR.5 HCS	EA	2
<b>SHIFTER &amp; CONTROL CABLE</b>				
*	34432	MERC TWIN SHIFTER	EA	1
*	33725	15' MERC CONTROL CABLE	EA	1
*	33726	16' MERC CONTROL CABLE	EA	1
*	34436	18' MERC CONTROL CABLE	EA	1
*	34437	19' MERC CONTROL CABLE	EA	1
<b>STEERING SYSTEM</b>				
*	34431	STEERING TIE BAR F/MERC	EA	1
*	11949	16' (RX-4) STR CABLE	EA	1
<b>ENGINE FUEL SYSTEM</b>				
*	50-60002	ANTI-SIPHON VALVE	EA	1
*	624	HOSE,FUEL FEED,3/8"-250'/RL	FT	7
*	694-EC	3/8BRB X 1/4MIP BRS M ADP	EA	2
<b>HULL INT LABELS</b>				
*	13121	BELT & PULLEY WARNING LABEL	EA	1
*	13236	PORT ENGINE LABEL	EA	1
*	13237	STARBOARD ENGINE LABEL	EA	1
*	3885-A	BATT INSTALLATION/COMPL LABEL	EA	2
<b>CANVAS ASSEMBLY</b>				
*	39583	DUAL SHIFTER COVER	EA	1
*	NOT SHOWN			